

# POSICONTROL

Single-axis position display

series

MC150



- Programmable position display for encoders
- Counting frequency up to a 500 kHz
- Various power supplies



MC150



[www.lika.biz](http://www.lika.biz)  
• Data sheet  
• Manual

## FUNCTIONS

Set value, Power down memory, Scaling factor, Edge evaluation, Counting direction, Decimal point, Key functions, Reset and Set logic, Absolute/relative mode, Offset logic, Offset value, In- and Output logic, Security code, Reference pulse

## ENVIRONMENTAL SPECIFICATIONS

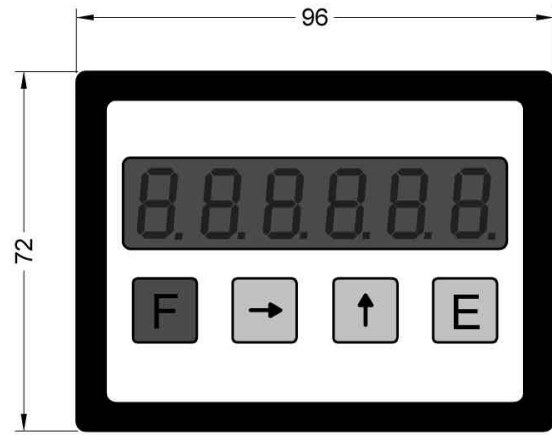
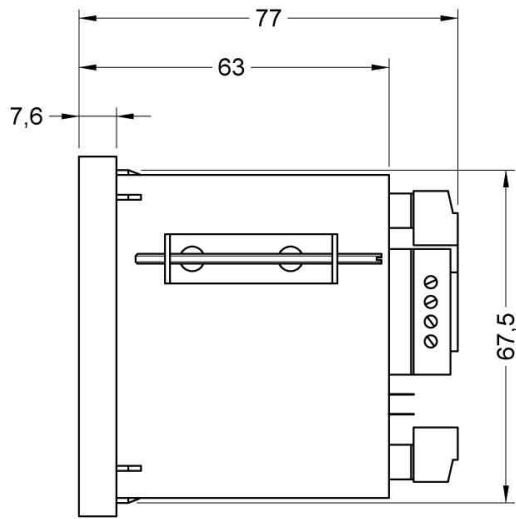
Operating temperature range: 0°C +50°C (+32°F, +122°F)  
Storage temperature range: -20°C +65°C (-4°F, +149°F)  
Protection: IP42

## MECHANICAL SPECIFICATIONS

Dimensions: 96 x 72 x 77 mm<sup>3</sup>  
Cut out: 94 x 66 mm<sup>2</sup>  
Display: 6 digit x 14 mm (-999999 ÷ 999999)

## ELECTRICAL SPECIFICATIONS

Power supply: 24Vdc, 24Vac, 115Vac, 230Vac  
Consumption: 150 mA  
Counting frequency: 500 kHz  
Input circuits: ABO, /ABO, Push-Pull, Line Driver  
Function input for reset, preset, relative/absolute mode  
Power supply for encoder: 5Vdc/24Vdc (12Vdc with P5, P6)  
Output circuits: 2 digital output 24V, 600 mA, PNP (optional)  
2 relay (optional)  
RS232 (optional)



ORDERING CODE

ADDITIONAL CODE (indicate only if necessary)

