


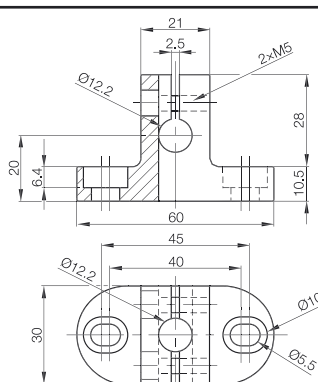
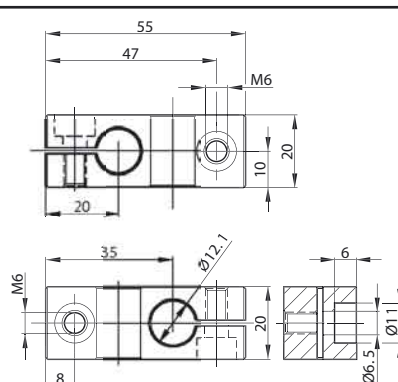
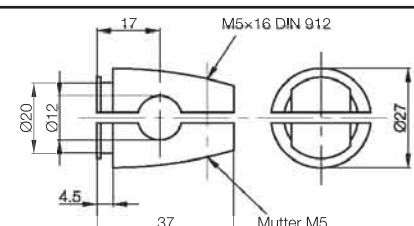



## Mounting System HMS



**To the optimized positioning of sensors  
Simple and stable fixing in the construction process**

	<b>Base holder</b>	<b>Cross-connectors</b>	<b>Clamping cylinder</b>
	for mounting on base plates or rails for 1 rod $\varnothing$ 12 mm (vertical or horizontal)	connecting element for 2 rods $\varnothing$ 12 mm	connecting element for 1 rod $\varnothing$ 12 mmr and sensor holder
			
<b>Material</b>	Al anodized	Al anodized	GD-Zn
<b>Type</b>	HMS GH1	HMS KV1	HMS KZ1
<b>Art.-Nr.</b>	9872A	9874A	9875A
			
	<b>Sensor holder</b>	<b>Sensor holder</b>	<b>Mounting rod</b>
	straight for IKU 0 and IKQ 0	right-angle for IKU 0 and IKQ 0	rod $\varnothing$ 12 mm x 150 mm
			
<b>Material</b>	V4A	V4A	Al anodized
<b>Type</b>	HMS HUG	HMS HUW	HMS S15
<b>Art.-Nr.</b>	9871A	9871B	9873A
	