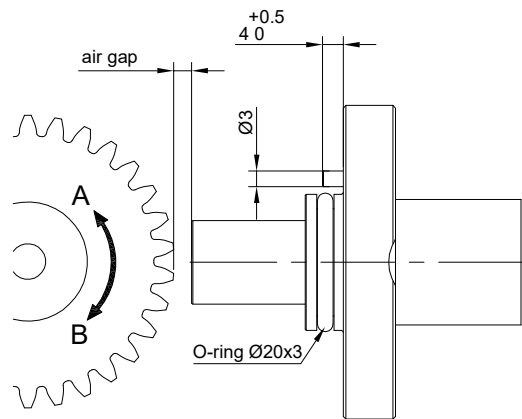
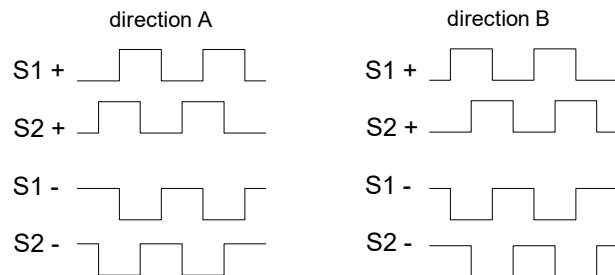


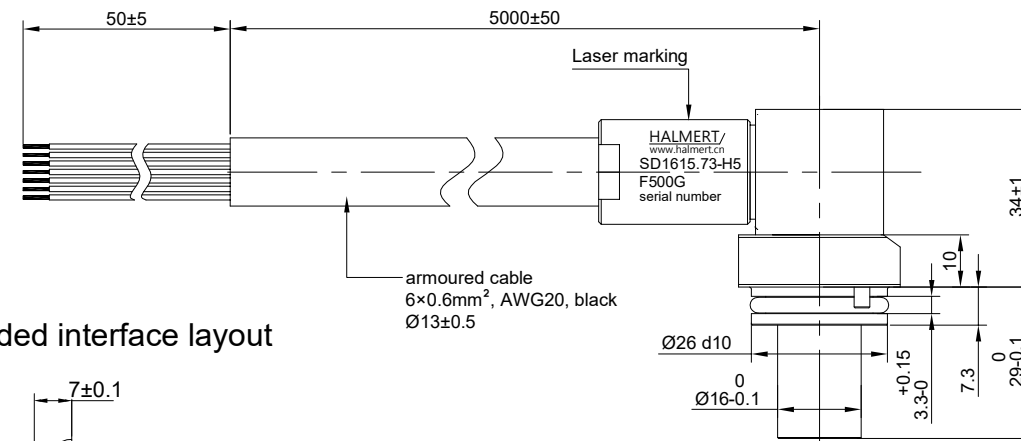
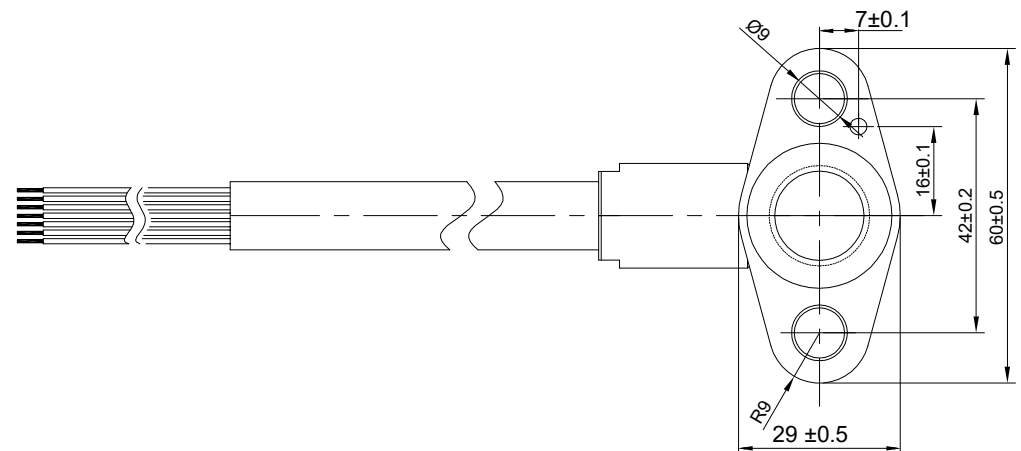
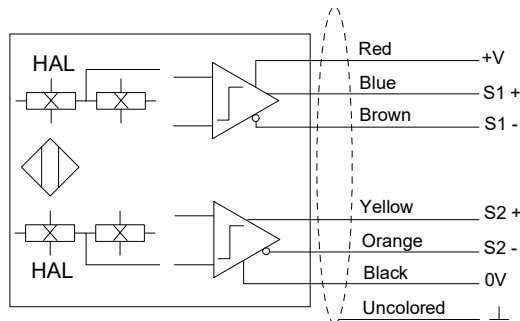
Passmass/fit size	Abmasse/tolerances
26 H8	+0.033 0.000
26 d10	-0.065 -0.149



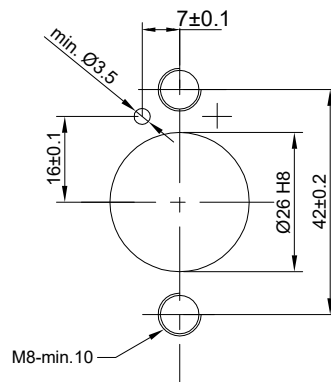
pulse diagram



schematic diagram



Recommended interface layout



PN.: 90230	Material: 1.4305(housing)	Dimension mm	Copy right belong to HALMERT			
Reference tolerance for undefined						
Dimension range	>0.5 -6	>6 -30	>30 -120	>120 -400	>400 -1000	>1000 -2000
Tolerance ±	0.1	0.2	0.3	0.5	0.8	1.2
Others No	Draw: HZ	Draw date: 20.12.22				
Rev.	Date	Sign.	Check: SZ	Check date: 20.12.22		
PART NAME			Rate: 3:2	Approve: VY	Approve date: 20.12.22	
Speed Sensor SD1615.73-H5 F500G			Format	Status	Doc. No.	Version
			A4	Approved	90230-01	Rev.01
			HALMERT www.halmert.cn			