

**P** SERIES

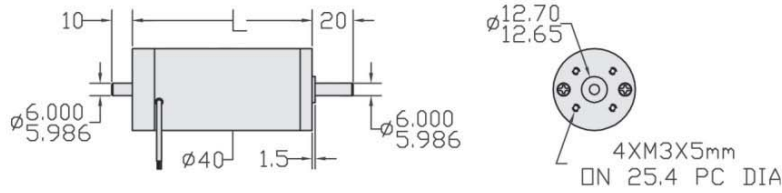
ISSUE 1



Brushed DC Servomotors

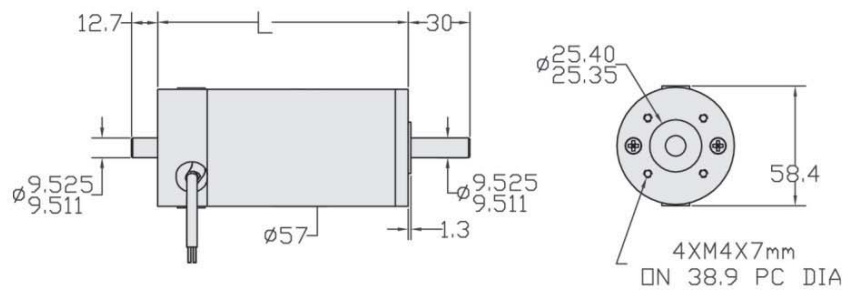
**MVVG**

## P40



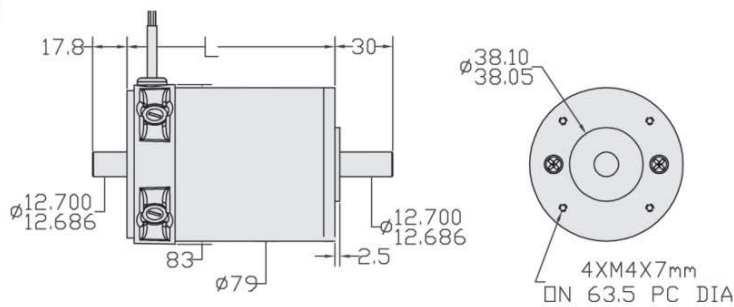
MODEL	L		
	LENGTH	WITH ENCODER	WITH ENCODER AND BRAKE
P40-04	72.4	90.4	
P40-06	87.6	105.6	

## P58



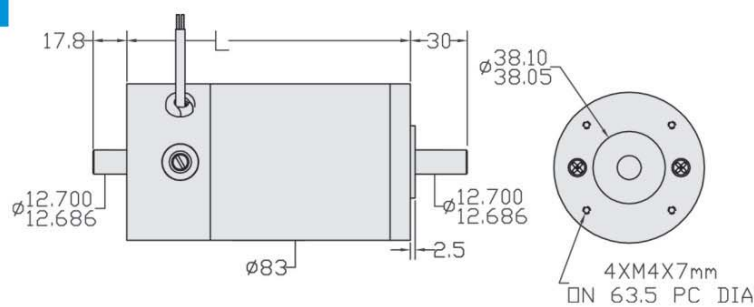
MODEL	L		
	LENGTH	WITH ENCODER	WITH ENCODER AND BRAKE
P58-02	76.5	103.1	135.1
P58-03	82.9	109.4	140.4
P58-04	89.3	115.8	146.8
P58-05	95.6	122.1	153.2
P58-07	108.2	134.8	165.8
P58-08	114.6	141.2	172.2
P58-09	122.2	148.7	179.7
P58-12	139.9	166.4	197.4
P58-14	152.6	179.1	210.1
P58-16	165.3	191.8	222.8

## P80



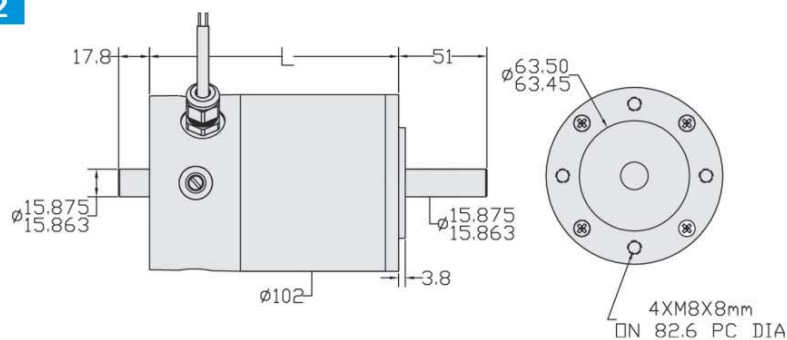
MODEL	L		
	LENGTH	WITH ENCODER	WITH ENCODER AND BRAKE
P80-03	75.9	116.3	158.3
P80-04	82.2	122.6	165.6
P80-08	107.6	148.0	190.0
P80-12	133.0	173.4	215.4
P80-16	158.4	198.8	240.8

## P82



MODEL	L		
	LENGTH	WITH ENCODER	WITH ENCODER AND BRAKE
P82-06	136.7	177.1	221.3
P82-08	149.4	189.8	234.0
P82-12	174.8	215.2	259.4
P82-16	200.2	240.6	284.8
P82-18	212.9	253.3	197.5

## P102



MODEL	L		
	LENGTH	WITH ENCODER	WITH ENCODER AND BRAKE
P102-08	143.4	183.8	225.8
P102-10	156.1	196.5	238.5
P102-12	168.8	209.2	251.2
P102-16	194.2	234.6	276.6
P102-20	219.6	260.0	302.0
P102-24	245.0	285.4	327.4

# P SERIES

Motor type	Winding		Voltage gradient +15% - 5%	Net weight (no brake fitted)	Body Length	Cont. stall torque	Cont. stall current (rms)	Max. Cogging torque	Peak torque	Max. Peak current	Resist-ance	Induct-ance	Max. Mechani- cal speed	Rotor inertia (no brake fitted)	Torque constant (3x Ktrms)	Max. EMF speed	Nominal speed	Nominal torque	Nominal power
			V/Krpm	kg	mm	Nm	Amps	mNm	Nm	Amps	Ohms	mH	R.P.M.	kg.cm <sup>2</sup>	mNm/A	V	rpm	Nm	W
P40-04	J	●	3	0.4	72.4	0.06	2.27	8.5	0.17	6.2	2.3	1.24	8000	0.019	28.6	24	3500	0.06	22.0
	M	●	6.3	0.4	72.4	0.06	1.2	8.5	0.19	3.3	8.9	4.89	8000	0.019	60.2	50	3200	0.06	20.1
	M	●	6.3	0.4	72.4	0.06	1.2	8.5	0.19	3.3	8.9	4.89	8000	0.019	60.2	50	3200	0.06	20.1
	N	●	7.9	0.4	72.4	0.06	0.95	8.5	0.19	2.6	14.1	7.73	8000	0.019	75.4	63	3300	0.06	20.7
	O	●	10.0	0.4	72.4	0.06	0.75	8.5	0.19	2.1	22.2	12.21	8000	0.019	95.5	80	3500	0.06	22.0
	P	●	12.6	0.4	72.4	0.06	0.6	8.5	0.19	1.7	35.2	19.29	8000	0.019	120.3	101	3300	0.06	20.7
P40-06	H		2.98	0.6	87.6	0.06	2.43	12.7	0.17	6.4	0.89	0.77	8000	0.028	28.5	24	4600	0.06	28.9
	J		4.81	0.6	87.6	0.07	1.81	12.7	0.21	4.9	2.22	1.92	8000	0.028	45.9	38	5100	0.07	37.4
	K		5.8	0.6	87.6	0.07	1.5	12.7	0.21	4.1	3.5	3.04	8000	0.028	55.4	46	4800	0.07	35.2
	L		6	0.6	87.6	0.07	1.45	12.7	0.21	3.9	4.2	3.48	8000	0.028	57.3	48	5200	0.07	38.1
P58-03	F	●	4.2	0.8	82.9	0.09	2.68	15.5	0.28	7.3	0.94	1.69	9000	0.088	40.1	38	6400	0.09	60.3
	G		5.1	0.8	82.9	0.1	2.35	15.5	0.3	6.4	1.49	2.67	9000	0.088	48.7	46	6100	0.1	63.9
	J	●	10.2	0.8	82.9	0.12	1.38	15.5	0.36	3.9	6.32	10.82	9000	0.088	97.4	92	4100	0.12	51.5
	M		19.9	0.8	82.9	0.14	0.81	15.5	0.41	2.3	24.93	42.69	9000	0.088	190.0	179	2700	0.14	39.6
P58-05	2D	●	2.3	1.0	95.6	0.07	4.66	31.8	0.21	11.1	0.116	0.22	9000	0.235	22.0	21	3600	0.07	26.4
	D	●	4.6	1.0	95.6	0.11	3.13	31.8	0.32	8	0.49	0.85	9000	0.235	43.9	41	4100	0.11	47.2
	F	●	7.0	1.0	95.6	0.13	2.48	31.8	0.4	6.5	1.17	2.25	9000	0.235	66.8	63	3500	0.13	47.7
	H	●	10.9	1.0	95.6	0.18	2.07	31.8	0.55	5.6	2.31	5.07	9000	0.235	104.1	98	3200	0.18	60.3
P58-07	E	●	7.3	1.2	108.2	0.12	2.12	27.5	0.36	5.6	0.99	2.01	9000	0.325	69.7	66	5200	0.12	65.4
	F	●	9.2	1.2	108.2	0.15	2.00	27.5	0.44	5.4	1.42	3.28	9000	0.325	87.9	83	4900	0.15	77.0
	H	●	14.1	1.2	108.2	0.2	1.67	27.5	0.59	4.6	3.40	7.58	9000	0.325	134.7	127	4000	0.2	83.8
	I	●	17.5	1.2	108.2	0.21	1.43	27.5	0.64	4	5.37	11.98	9000	0.325	167.1	158	3600	0.21	79.2
	J		22.4	1.2	108.2	0.23	1.22	27.5	0.7	3.4	8.48	18.93	9000	0.325	213.9	202	3100	0.23	74.7
P58-09	2D	●	3.7	1.4	122.2	0.09	3.48	31.1	0.28	8.7	0.40	0.48	9000	0.423	35.3	33	4800	0.09	45.2
	2F	●	6	1.4	122.2	0.13	2.76	31.1	0.38	7.2	0.40	0.76	9000	0.423	57.3	54	5000	0.13	68.1
	F	●	12	1.4	122.2	0.21	2.12	31.1	0.64	5.8	1.70	3.32	9000	0.423	114.6	108	3800	0.21	83.6
	J	●	29.1	1.4	122.2	0.28	1.13	31.1	0.85	3.2	10.80	20.68	9000	0.423	277.9	262	2200	0.28	64.5
	K	●	36.6	1.4	122.2	0.3	0.94	31.1	0.89	2.6	18.40	32.67	9000	0.423	349.5	329	1700	0.3	53.4
P58-12	2F	●	6.8	1.7	139.9	0.18	3.31	31.1	0.55	9	0.54	1.13	9000	0.564	64.9	61	4700	0.18	88.6
	D		9.1	1.7	139.9	0.23	2.96	31.1	0.68	8.2	0.86	1.78	9000	0.564	86.9	82	4000	0.23	96.4
	E	●	11.4	1.7	139.9	0.26	2.69	31.1	0.78	7.5	1.24	2.83	9000	0.564	108.9	103	3900	0.26	106.2
	G	●	17.7	1.7	139.9	0.32	2.06	31.1	0.95	5.8	3.09	6.90	9000	0.564	169.0	159	3300	0.32	110.6
P58-14	D		10.6	1.9	152.6	0.25	2.87	36.7	0.76	7.9	0.96	1.96	9000	0.67	101.2	95	5800	0.25	151.9
	F		17.0	1.9	152.6	0.31	2.14	36.7	0.93	6	2.40	4.89	9000	0.67	162.3	153	4700	0.31	152.6
	G		20.7	1.9	152.6	0.32	1.83	36.7	0.97	5.1	3.79	7.73	9000	0.67	197.7	186	4300	0.32	144.1
	I		32.3	1.9	152.6	0.35	1.24	36.7	1.04	3.5	9.45	19.30	9000	0.67	308.5	291	3700	0.35	135.6
P80-04	F2		3.0	1.8	82.2	0.06	3.85	53.7	0.17	7.8	0.08	0.13	5000	0.706	28.6	15	3700	0.06	23.25
	F		6.5	1.8	82.2	0.13	3.03	53.7	0.4	7.3	0.32	0.51	5000	0.706	62.1	33	3600	0.13	49.02
	H		9.9	1.8	82.2	0.2	2.66	53.7	0.59	6.8	0.81	1.26	5000	0.706	94.5	50	3300	0.2	69.13
	I		12.7	1.8	82.2	0.23	2.31	53.7	0.68	6	1.26	2.12	5000	0.706	121.3	64	2800	0.23	67.45
P80-08	E3	●	3.5	2.3	107.6	0.13	5.77	65.7	0.38	13.4	0.07	0.09	5000	1.412	33.4	18	3900	0.13	53.10
	E	●	9.3	2.3	107.6	0.23	3.36	65.7	0.7	8.6	0.46	0.53	5000	1.412	88.8	47	3500	0.23	84.32
	G	●	14.6	2.3	107.6	0.32	2.80	65.7	0.97	7.5	1.10	1.40	5000	1.412	139.4	73	3200	0.32	107.26
	I	●	23.2	2.3	107.6	0.41	2.14	65.7	1.23	5.8	2.21	3.55	5000	1.412	221.6	116	2600	0.41	111.66
P80-12	D2		6.6	2.8	133.0	0.19	4.31	81.2	0.57	10.4	0.14	0.20	5000	1.766	63.0	33	3500	0.19	69.65
	D	●	10.6	2.8	133.0	0.25	3.24	81.2	0.74	8.1	0.35	0.51	5000	1.766	101.2	53	3100	0.25	81.18
	E	●	13.3	2.8	133.0	0.32	3.14	81.2	0.95	8.1	0.55	0.80	5000	1.766	127.0	67	3200	0.32	107.26
	H	●	26.6	2.8	133.0	0.42	1.99	81.2	1.21	5.3	2.20	3.21	5000	1.766	254.0	133	2600	0.42	114.38
P80-16	E4	●	5.3	3.4	158.4	0.25	6.49	81.2	0.74	16.3	0.08	0.09	5000	2.825	50.6	27	4000	0.25	104.74
	D2	●	8.8	3.4	158.4	0.32	4.75	81.2	0.95	12.3	0.19	0.22	5000	2.825	84.0	44	3900	0.32	130.72
	F2	●	10.6	3.4	158.4	0.35	4.29	81.2	1.06	11.3	0.30	0.34	5000	2.825	101.2	53	3700	0.35	135.64
	F	●	22.2	3.4	158.4	0.53	2.88	81.2	1.59	7.9	1.19	1.34	5000	2.825	212.0	111	2600	0.53	144.34

Motor type	Winding	Voltage gradient +15% - 5%	Net weight (no brake fitted)	Body Length	Cont. stall torque	Cont. stall current (rms)	Max. Cogging torque	Peak torque	Max. Peak current	Resist-ance	Induct-ance	Max. Mechani- cal speed	Rotor inertia (no brake fitted)	Torque constant (3x Ktrms)	Max. EMF speed	Nominal speed	Nominal torque	Nominal power	
		V/Krpm	kg	mm	Nm	Amps	mNm	Nm	Amps	Ohms	mH	R.P.M.	kg.cm <sup>2</sup>	mNm/A	V	rpm	Nm	W	
P82-08	D2		12.3	3.2	149.4	0.34	3.52	74.1	1.02	9.2	0.44	1.52	4000	2.26	117.5	49	2600	0.34	92.59
	C		19.2	3.2	149.4	0.47	2.95	74.1	1.4	8	1.14	3.79	4000	2.26	183.4	77	2700	0.47	132.92
	D		22.0	3.2	149.4	0.49	2.71	74.1	1.48	7.4	1.80	5.99	4000	2.26	210.1	88	2600	0.49	133.44
	F		39.0	3.2	149.4	0.6	1.81	74.1	1.8	5	4.50	15.15	4000	2.26	372.4	156	1700	0.6	106.84
P82-12	C2	●	12.1	3.8	174.8	0.46	4.69	82.6	1.38	12.6	0.45	1.22	4000	3.107	115.6	48	2200	0.46	106.00
	D2	●	16.3	3.8	174.8	0.53	3.93	82.6	1.59	10.7	0.65	1.90	4000	3.107	155.7	65	2200	0.53	122.13
	D		31.6	3.8	174.8	0.71	2.61	82.6	2.12	7.3	2.53	7.45	4000	3.107	301.8	126	2000	0.71	148.74
	E		43.3	3.8	174.8	0.81	2.16	82.6	2.44	6.1	4.00	13.90	4000	3.107	413.5	173	1900	0.81	161.20
P82-16	C2		16.1	4.6	200.2	0.78	5.57	79.8	2.33	15.7	0.51	1.39	4000	4.143	153.8	64	2200	0.78	179.74
	D2		21.5	4.6	200.2	0.88	4.69	79.8	2.65	13.3	0.80	2.20	4000	4.143	205.3	86	2300	0.88	212.00
	C		33.6	4.6	200.2	1.06	3.55	79.8	3.18	10.2	1.90	5.49	4000	4.143	320.9	134	2300	1.06	255.36
	E		56.4	4.6	200.2	1.27	2.51	79.8	3.81	7.6	4.74	13.71	4000	4.143	538.6	226	2000	1.27	266.05
P82-18	C2		18.0	4.9	212.9	0.85	5.39	78.4	2.54	15.2	0.53	3.20	4000	4.378	171.9	72	2500	0.85	222.58
	B		31.5	4.9	212.9	0.99	3.55	78.4	2.97	10.1	1.33	7.99	4000	4.378	300.8	126	2700	0.99	279.98
	D		46.5	4.9	212.9	1.34	3.20	78.4	4.03	9.2	3.10	19.94	4000	4.378	444.1	186	2100	1.34	294.75
	F		75.0	4.9	212.9	1.55	2.28	78.4	4.66	6.6	7.74	49.77	4000	4.378	716.2	300	1500	1.55	243.53
P102-08	C	●	19.1	3.8	143.4	0.39	3.01	160.3	1.17	7.3	0.50	1.37	5000	11.3	182.4	96	2500	0.39	102.12
	D		26.0	3.8	143.4	0.49	2.64	160.3	1.48	6.6	0.66	2.17	5000	11.3	248.3	130	2200	0.49	112.91
	F	●	39.9	3.8	143.4	0.7	2.26	160.3	2.1	5.9	1.74	4.63	5000	11.3	381.0	200	2000	0.7	146.64
	G	●	48.1	3.8	143.4	0.78	2.04	160.3	2.33	5.4	2.75	7.31	5000	11.3	459.4	241	1900	0.78	155.23
P102-10	Z2		6.1	4.4	156.1	0.18	6.32	184.3	0.55	12.6	0.05	0.15	5000	14.13	58.3	31	3200	0.18	60.33
	Z		12.2	4.4	156.1	0.32	4.31	184.3	0.95	9.8	0.13	0.36	5000	14.13	116.5	61	2800	0.32	93.85
	C	●	23.0	4.4	156.1	0.53	3.25	184.3	1.59	8.1	0.52	1.42	5000	14.13	219.6	115	2800	0.53	155.44
	E		36.7	4.4	156.1	0.78	2.74	184.3	2.33	7.2	1.30	3.55	5000	14.13	350.5	184	2200	0.78	179.74
P102-12	Z2	●	5.9	5.0	168.8	0.18	6.99	217.5	0.53	13.3	0.045	0.08	5000	16.95	56.3	30	3000	0.18	56.56
	Z	●	10.8	5.0	168.8	0.44	6.42	217.5	1.33	15	0.08	0.28	5000	16.95	103.1	54	3100	0.44	142.87
	D	●	35.3	5.0	168.8	0.99	3.58	217.5	2.97	9.4	0.92	2.50	5000	16.95	337.1	177	2300	0.99	238.50
	B	●	22.5	5.0	168.8	0.67	4.13	217.5	2.01	10.4	0.36	1.00	5000	16.95	214.9	113	2900	0.67	203.52
P102-16	Z		9.4	6.2	194.2	0.46	8.09	267.6	1.38	18.3	0.70	2.05	5000	21.19	89.8	47	3200	0.46	154.18
	Z		18.8	6.2	194.2	0.85	6.21	267.6	2.54	15.6	0.18	0.57	5000	21.19	179.5	94	2800	0.85	249.29
	C	●	35.4	6.2	194.2	1.55	5.39	267.6	4.66	14.6	0.70	2.05	5000	21.19	338.1	177	2300	1.55	373.41
	E		56.0	6.2	194.2	2.54	5.25	267.6	7.63	14.8	1.75	5.00	5000	21.19	534.8	280	1700	2.54	452.28
P102-20	A	●	28.1	7.4	219.6	1.77	7.75	314.9	5.3	20.9	0.35	1.03	5000	26.13	268.4	141	2300	1.77	426.41
	B	●	33.7	7.4	219.6	2.12	7.56	314.9	6.36	20.7	0.55	1.63	5000	26.13	321.8	169	2100	2.12	466.32
	C	●	41.6	7.4	219.6	2.47	7.01	314.9	7.41	19.5	0.87	2.40	5000	26.13	397.3	208	2000	2.47	517.43
	E		66.0	7.4	219.6	3.32	5.77	314.9	9.96	16.3	2.10	6.40	5000	26.13	630.3	330	1800	3.32	625.95

● Preferred motor type

## MOTOR TYPE DEFINITION(For brushed types)

For example: **P102-08F-001FC**

P: P series Brushed servomotor

102: 102mm frame servomotor

08F: Number of armature, 08: Rotor stack: F: Winding

001:The serial number

F: Square flange

C: Accessory part(e.g. C-tacho , M-encoder , B-brake , J-gearbox )

Frame Size	Voltage gradient availability																							
	1.2	1.6	2.2	2.6	3.4	4.3	5.4	6.6	8.5	11	13.5	15.6	22	26	32	42	55	68	80	92	105	130	160	
P40	04																							
	06																							
P58	03																							
	04																							
	05																							
	07																							
	09																							
	12																							
	16																							
P80	03																							
	04																							
	08																							
	12																							
P82	06																							
	08																							
	12																							
	16																							
P102	08																							
	10																							
	12																							
	16																							
	20																							
	24																							

STANDARD/OPTIONAL FEATURES						
DESCRIPTION OPTIONS		SERVOMOTOR TYPE				
		P40	P58	P80	P82	P102
MECHANICAL	FLANGE MOUNTED	■	■	■	■	■
	KEYWAY	○	■	■	■	■
	PLAIN SHAFT	●	●	●	●	●
	OUTPUT SHAFT OD (mm)	6	6-9	6-12	6-12.7	8-15.88
	IP44(AT SHAFT WITH SEAL FITTED)	●	●	●	●	●
ELECTRICAL CONNECTION	VERTICAL CONNECTORS	●	●	●	●	●
	CUSTOMER SPECIFIED CONNECTION	●	●	●	●	●
	FLYING LEADS	●	●	●	●	●
HOLDING BRAKE	24 VDC SPRING APPLIED		●	●	●	●
	INCREMENTAL ENCODER WITH BLOCK COMMUTATION	■	■	■	■	■
FEEDBACK DEVICE	RESOLVER	●	●	●	●	●
	SINGLE OR MULTITURN ABSOLUTE ENCODER	●	●	●	●	●
	ENCODER MOUNTING KIT TO SUIT CUSTOMER SPECIFIED ENCODER	●	●	●	●	●
	UL CERTIFICATION	●	●	●	●	●



■ STANDARD FEATURE    ● OPTION    ○ NOT AVAILABLE

## ООО Евросенсор

Россия  
119071, г. Москва  
ул. Малая Калужская,  
д. 15, стр. 17, оф. 443

Тел: +7(495) 780-71-88  
955-94-53

eurosensor@eurosensor.ru  
www.eurosensor.ru