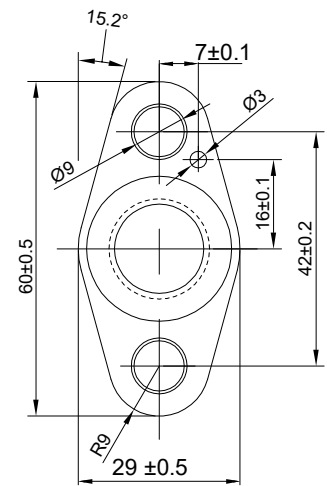
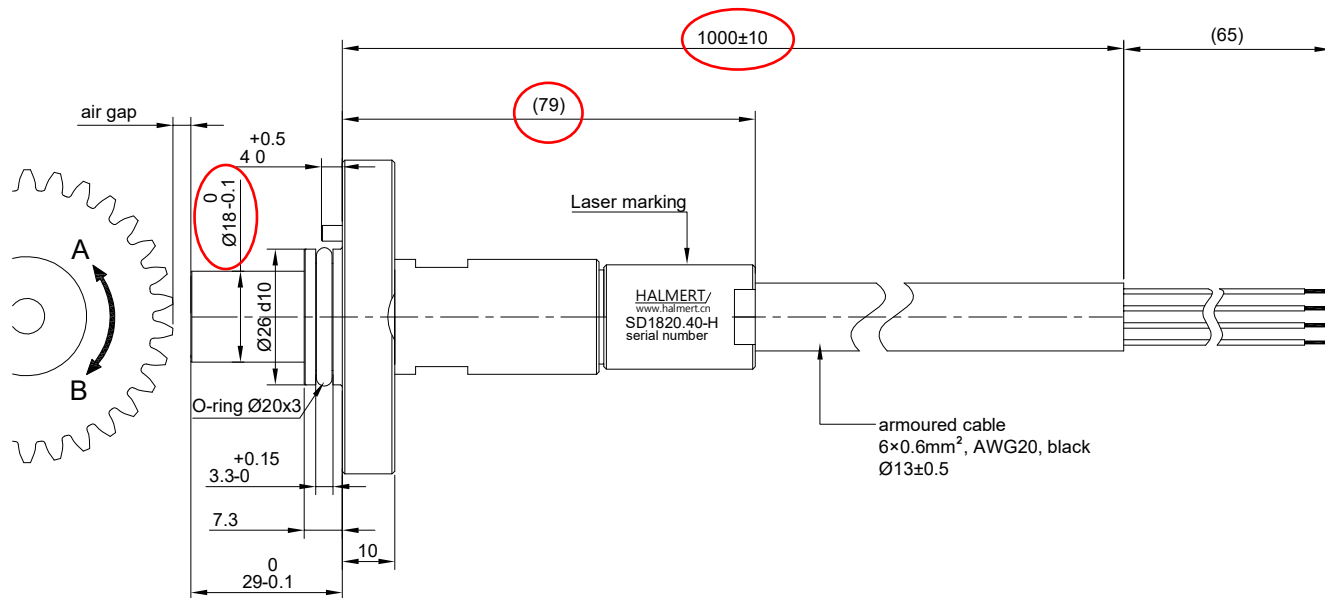
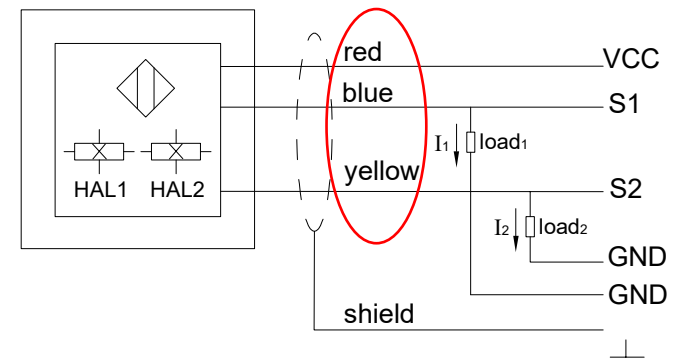


Passmass/fit size	Abmasse/tolerances
26 H8	+0.033 0.000
26 d10	-0.065 -0.149

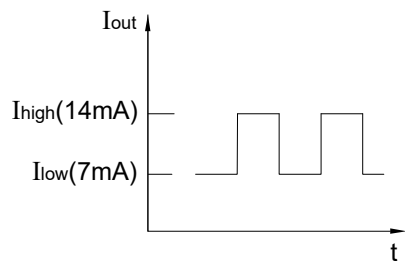


schematic diagram

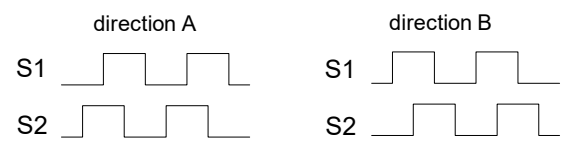


Technical data:

- Dual channel current output signal
- Output: $I_{high}=11.3mA...17.4mA$
 $I_{low}=4.3mA...8.9mA$
- Supply voltage: 12V...30V DC
- Duty cycle: 40%...60%
- Phase shift: $90^{\circ}\pm 45^{\circ}$
- Frequency range: 0Hz...12kHz
- Operation temperature range: $-40^{\circ}C...+125^{\circ}C$
- Protection class: IP68(head)
- Target gear module: M2
- Air gap: 0.3mm...1.5mm
- $R_{load_min.}=100\Omega$, $R_{load_max.}=(VCC-8)/17.4$
- Others please contact HALMERT



pulse diagram



PN.: 90263	Material: 1.4305(housing)	Dimension mm	Copy right belong to HALMERT			
Reference tolerance for undefined						
Dimension range	>0.5	>6	>30	>120	>400	>1000
	-6	-30	-120	-400	-1000	-2000
Tolerance ±	0.1	0.2	0.3	0.5	0.8	1.2
Others No	Draw: HZ	Draw date: 03.07.23				
Rev.	Date	Sign.	Check: SZ	Check date: 05.07.23		
PART NAME			Rate: 3:2	Approve:	Approve date:	
Speed Sensor SD1820.40-H			Format	Status	Doc. No.	Version
			A4	Preliminary	90263-01	Rev.01

HALMERT
www.halmert.cn