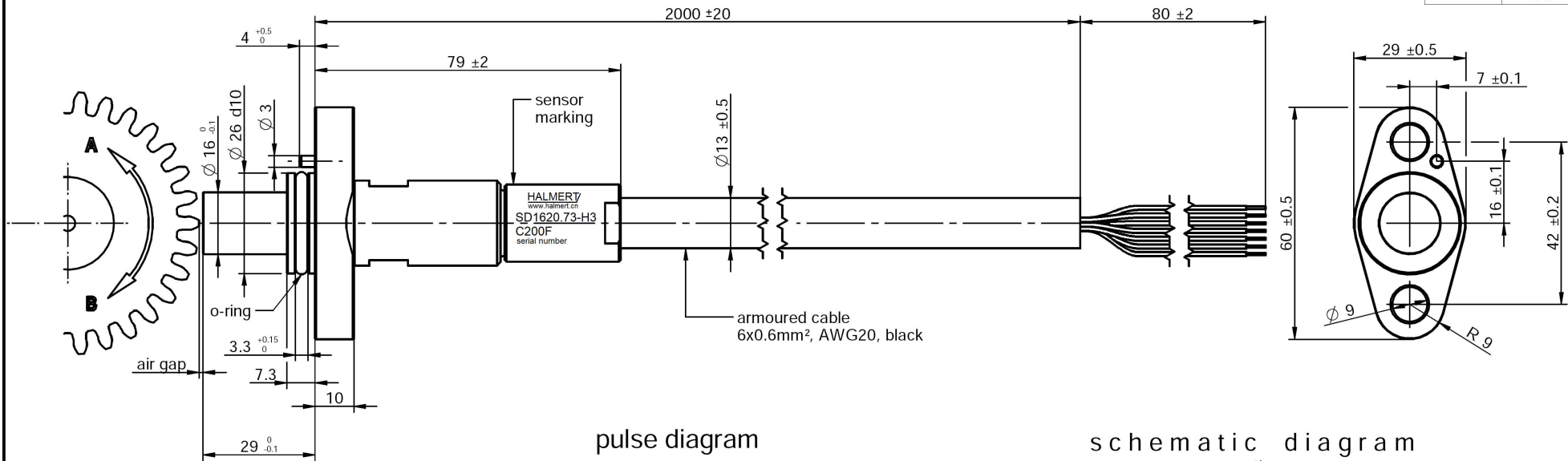
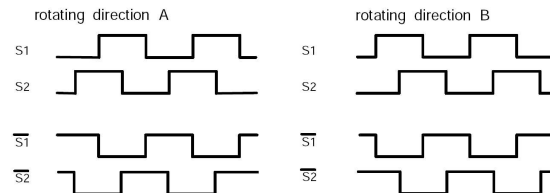


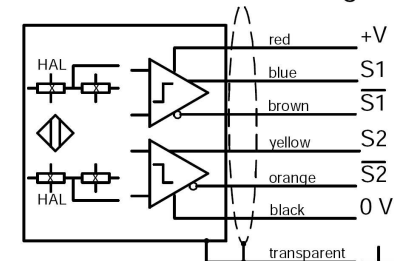
Passmass / fit size	Abmasse / tolerances
26 H8	+0.033 0.000
26 d10	-0.065 -0.149



pulse diagram

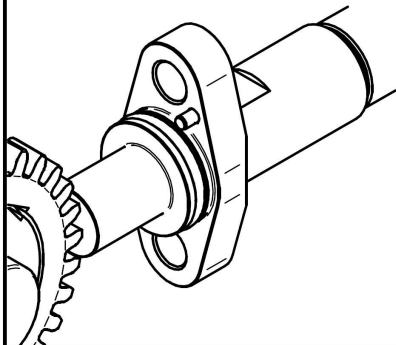
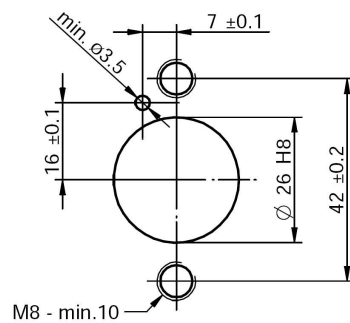


schematic diagram



* shield connected to the sensor housing

Recommended interface layout



PN.: 90234	Material: 1.4305(housing)	Dimension mm	Copy right belong to HALMERT				
Reference tolerance for undefined							
Dimension range		>0.5 -6	>6 -30	>30 -120	>120 -400	>400 -1000 >1000 -2000	
Tolerance ±		0.1	0.2	0.3	0.5	0.8 1.2	
Rev.	Date	Sign.	Others No	Draw: HZ	Draw date: 27.12.22		
			Check: SZ	Check date: 27.12.22			
PART NAME			Rate: 3:2	Approve:	Approve date:		
Speed Sensor			HALMERT/ www.halmert.cn	Format	Status	Doc. No.	Version
SD1620.73-H3				A4	Preliminary	90234-01	Rev. 01
C200F							