

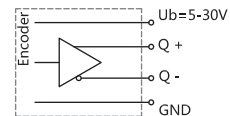
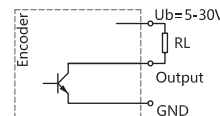
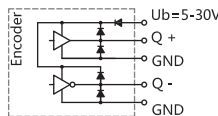
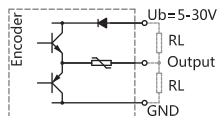


EDG58S Series	
Sensing method	Optical
Housing size	Φ58 mm
Shaft diameter	Φ6、Φ8、Φ10 mm
Max. resolution	5000 PPR
Supply voltage	5VDC, 5-30VDC, 9-26VDC
Protection	IP65/IP67

Mechanical characteristics

Shaft diameter	Φ6、Φ8、Φ10 mm
Protection	IP65/IP67
Speed	max. 6000 min-1
Shaft loading	max. 40 N Axial; max. 80 N Radial
Shock resistance	100g, 6ms
Vibration resistance	10g, 10...2000HZ
Bearing life	10 ⁹ turns
Rotor moment of inertia	approx. 1.8×10 ⁻⁶ kgm ²
Starting torque	<0.015 Nm
Materials	Solid shaft : Stainless steel Flange : Aluminum alloy Housing: Aluminum alloy
Working temperature	-20 C...+70 C
Storage temperature	-40 C...+85 C
Weight	approx. 350 g

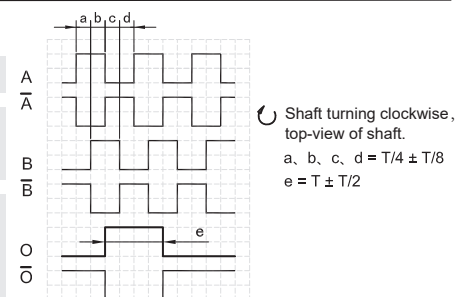
Electrical characteristics



Output circuit	Push-Pull	Push-Pull Differential	Open Collector	RS422 (TTL Compatible)
Pulse rate	max. 5000 P/R	max. 5000 P/R	max. 5000 P/R	max. 5000 P/R
Supply voltage	5-30V	5-30V	5-30V	5-30V
Power consumption(no load)	max. 125 mA	max. 125 mA	max. 80 mA	max. 80 mA
Permissible load/channel	max. ±80 mA	max. ±80 mA	max. -50 mA	max. ±50 mA
Pulse frequency	max. 300 KHz	max. 300 KHz	max. 300 KHz	max. 300 KHz
Signal level high	min. Ub-2.5V	min. Ub-2.5V	/	min. 2.5V
Signal level low	max. 0.8V	max. 0.8V	/	max. 0.4V
Rise time Tr	max. 1μs	max. 1μs	/	max. 1μs
Fall time Tf	max. 1μs	max. 1μs	/	max. 1μs
Short circuit proof outputs	yes	yes	yes	yes

Terminal assignment

Signal		OV	+Ub	A	\bar{A}	B	\bar{B}	O	\bar{O}	⏏
Cable Colour		WH	BN	GN	PK	YE	BU	GY	RD	Shield
Flange connector M18, 9-pin, CCW (9218)		2	7	1	3	4	5	6	8	PH ¹⁾



Note: ¹⁾ PH= connected to housing

Note: Positional relationship of O channel and A&B channels is not specified.

Terminal assignment

 Flange Connector
 M23, 12-pin,
 CW (9223)

 10 12 5 6 8 1 3 4 PH¹⁾

 Flange Connector
 M23, 12-pin,
 CCW (9223-2)

 10 12 5 6 8 1 3 4 PH¹⁾

 Note: ¹⁾ PH= connected to housing

Ordering information

EDG58	XX	S	10	E	1024	F	5-30	R	9223	/	A	XXXX
①	②	③	④	⑤	⑥	⑦	⑧	⑨	⑩		⑪	

①Extended No. XX	②Shaft type S: Solid shaft	③Shaft diameter 6: 6mm 8: 8mm 10: 10mm	④Channels B: A B C: A B O D: A \bar{A} B \bar{B} E: A \bar{A} B \bar{B} O \bar{O} F: A B \bar{O}	⑤Pulse rate 50,100,200, 256,360,500, 512,600,720, 1000,1024, 2000,2048,2500, 3600,4096,5000	⑥Output circuit F: Push-Pull A: Push-Pull Differential C: Open Collector B: RS422 (TTL Compatible)
---------------------	-------------------------------	--	--	--	---

⑦Supply voltage 5: 5VDC 5-30: 5...30VDC 9-26: 9...26VDC	⑧Exit position R: Radial C: Axial	⑨Connection type Figure: Cable length(m) 9218: M18 connector, 9-pin, CCW 9223: M23 connector, 12-pin, CW 9223-2: M23 connector, 12-pin, CCW	⑩Protection Empty: IP65 A: IP67	⑪ Special code XXXX
--	--	---	---------------------------------------	------------------------

Note: Printed in bold=standard items

Notes: 1, Pulse rates available at a short notice (50,100,200,256,360,500,512,600,720,1000,1024, 2000,2048,2500,3600,4096,5000) , other pulse rates on request.
 2, Please chose the ordering information: Extended No., Shaft diameter, Channels, Pulse rate, Output circuit, Supply voltage, Exit position, Connection type and Special code.

Ordering example: 1、EDG58S10C1024F5-30R2, Special requirements please indicate to the back.

Explanation: EDG58S Series, Shaft diameter 10mm, Output channels A B O, 1024PPR, Push-Pull, DC 5-30V, Radial Output 2m.

2、EDG5801S10E2000A5-30R9223, Special requirements please indicate to the back.

 Explanation: EDG5801S Series, Shaft diameter 10mm, Output channels A \bar{A} B \bar{B} O \bar{O} , 2000PPR, Push-Pull Differential, DC5-30V, Radial Output , M23 connector, 12-pin, CW.

Accessories (sold separately) Note: Further coupling can be found in the coupling selection table.

Coupling

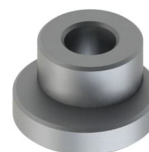
Model (common) : 8212B 10-10

Coupling

Model (common) : 8215 10-10

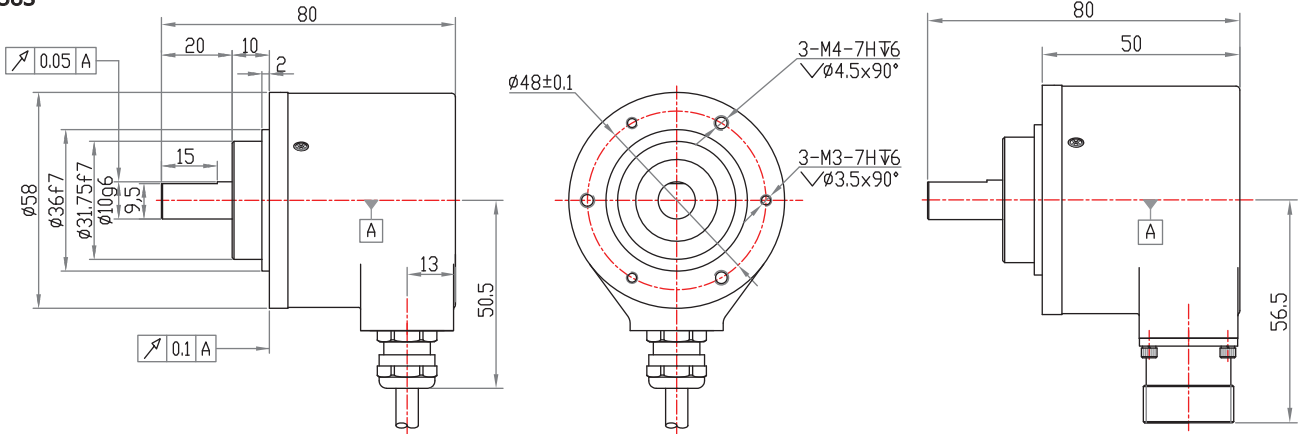
Synchro clamping elements (set of 3)

Model (common) : 8531

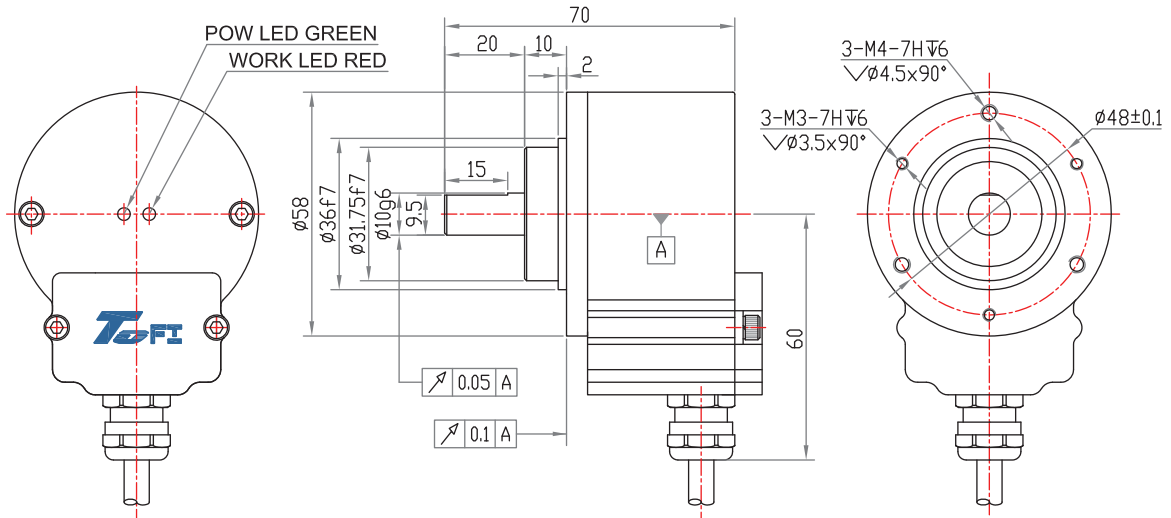


Dimensions

EDG58S



EDG5801S



EDG5803S

