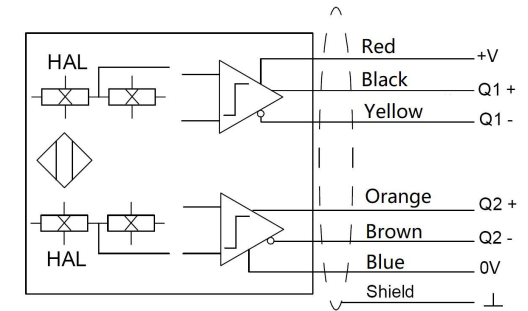
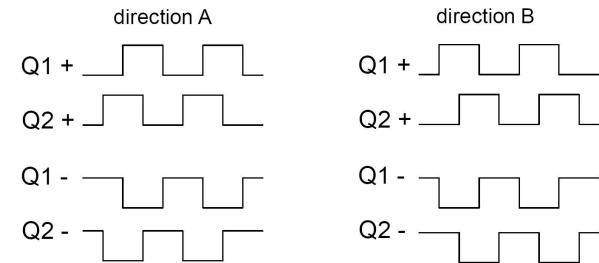


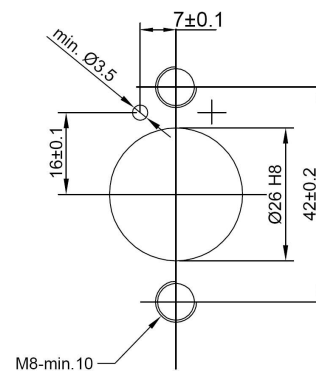
## schematic diagram



## pulse diagram



## Recommended interface layout



PN.: 90254		Material: 1.4305(housing)		Dimension mm	Copy right belong to HALMERT					
Reference tolerance for undefined										
				Dimension range	>0.5	>6	>30	>120	>400	>1000
					-6	-30	-120	-400	-1000	-2000
				Tolerance ±	0.1	0.2	0.3	0.5	0.8	1.2
Rev.		Date		Sign.		Others No		Draw: HZ		Draw date: 27.04.23
						Check: SZ		Check date: 27.04.23		
PART NAME				Rate: 3:2		Approve:		Approve date:		
Speed Sensor SD1620.73-HM2				HALMERT/ www.halmert.cn		Format		Status		Doc. No.
				A4		Preliminary		90254-01		Rev.01