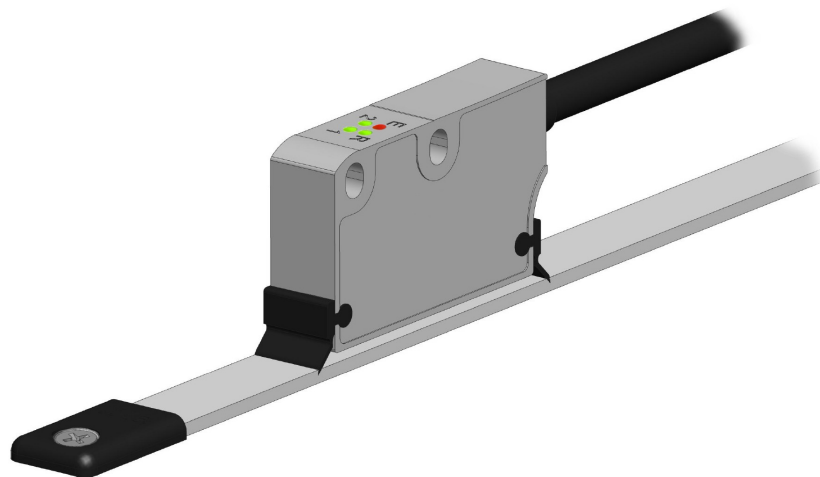


## SME12 SME22 SME52



- Incremental linear encoder for 1-, 2- & 5-mm pole pitch tapes
- Resolution options between 0.5  $\mu\text{m}$  and 50  $\mu\text{m}$
- Measuring length up to 100 m / 328 ft
- IP67 protection rate
- Wide mounting tolerances up to 2 mm / 0.078"
- With external limit switches to mark off the travel

#### Suitable for the following models:

- SME12
- SME22
- SME52

#### Table of Contents

Safety summary	6
Identification	8
Mechanical installation	9
Electrical connection	18
Maintenance and troubleshooting	29

This publication was produced by Lika Electronic s.r.l. 2018. All rights reserved. Tutti i diritti riservati. Alle Rechte vorbehalten. Todos los derechos reservados. Tous droits réservés.

This document and information contained herein are the property of Lika Electronic s.r.l. and shall not be reproduced in whole or in part without prior written approval of Lika Electronic s.r.l. Translation, reproduction and total or partial modification (photostat copies, film and microfilm included and any other means) are forbidden without written authorisation of Lika Electronic s.r.l.

The information herein is subject to change without notice and should not be construed as a commitment by Lika Electronic s.r.l. Lika Electronic s.r.l. reserves the right to make all modifications at any moments and without forewarning.

This manual is periodically reviewed and revised. As required we suggest checking if a new or updated edition of this document is available at Lika Electronic s.r.l.'s website. Lika Electronic s.r.l. assumes no responsibility for any errors or omissions in this document. Critical evaluation of this manual by the user is welcomed. Your comments assist us in preparation of future documentation, in order to make it as clear and complete as possible. Please send an e-mail to the following address [info@lika.it](mailto:info@lika.it) for submitting your comments, suggestions and criticisms.

The logo for Lika Electronic s.r.l. consists of the word "lika" in a bold, lowercase, sans-serif font. The letter "i" has a dot, and the "a" has a tail that extends to the right.

# General contents




User's guide.....	1
General contents.....	3
Typographic and iconographic conventions.....	4
Preliminary information.....	5
<b>1 Safety summary.....</b>	<b>6</b>
1.1 Safety.....	6
1.2 Electrical safety.....	6
1.3 Mechanical safety.....	7
<b>2 Identification.....</b>	<b>8</b>
<b>3 Mechanical installation.....</b>	<b>9</b>
3.1 Overall dimensions.....	9
3.2 Sensor and scale / ring combination.....	10
3.3 Magnetic tape.....	10
3.4 Magnetic rings.....	10
3.5 Mounting the sensor with magnetic tape.....	11
3.6 Mounting the sensor with "R" Reference.....	13
3.7 Mounting the sensor with LS1 and LS2 limit switches.....	14
3.8 Measuring length.....	15
3.9 Mounting the sensor with MRI magnetic rings.....	15
3.10 Standard counting direction.....	17
3.11 Optional cleaning wipers (Figure 1).....	17
<b>4 Electrical connection.....</b>	<b>18</b>
4.1 M10 cable connection.....	18
4.2 M10 cable specifications.....	19
4.3 Connection of the shield.....	20
4.4 Ground connection.....	20
4.5 ABO, /ABO output channels.....	21
4.6 Counting direction.....	23
4.7 Reference "R".....	23
4.8 LS1 and LS2 limit switches.....	24
4.9 Diagnostic LEDs (Figure 10).....	26
4.10 Recommended circuit.....	28
<b>5 Maintenance and troubleshooting.....</b>	<b>29</b>

# Typographic and iconographic conventions

In this guide, to make it easier to understand and read the text the following typographic and iconographic conventions are used:

- parameters are coloured in **GREEN**;
- alarms are coloured in **RED**;
- states are coloured in **FUCSIA**.

When scrolling through the text some icons can be found on the side of the page: they are expressly designed to highlight the parts of the text which are of great interest and significance for the user. Sometimes they are used to warn against dangers or potential sources of danger arising from the use of the device. You are advised to follow strictly the instructions given in this guide in order to guarantee the safety of the user and ensure the performance of the device. In this guide the following symbols are used:

	This icon, followed by the word <b>WARNING</b> , is meant to highlight the parts of the text where information of great significance for the user can be found: user must pay the greatest attention to them! Instructions must be followed strictly in order to guarantee the safety of the user and a correct use of the device. Failure to heed a warning or comply with instructions could lead to personal injury and/or damage to the unit or other equipment.
	This icon, followed by the word <b>NOTE</b> , is meant to highlight the parts of the text where important notes needful for a correct and reliable use of the device can be found. User must pay attention to them! Failure to comply with instructions could cause the equipment to be set wrongly: hence a faulty and improper working of the device could be the consequence.
	This icon is meant to highlight the parts of the text where suggestions useful for making it easier to set the device and optimize performance and reliability can be found. Sometimes this symbol is followed by the word <b>EXAMPLE</b> when instructions for setting parameters are accompanied by examples to clarify the explanation.

# Preliminary information

This guide is designed to provide the most complete and exhaustive information the operator needs to correctly and safely install and operate the following **incremental linear encoders: SME12, SME22 and SME52.**

SME12, SME22 and SME52 linear encoders are designed to measure linear or angular displacements on industrial machines and automation systems. The measurement system includes a magnetic tape / magnetic ring and a magnetic sensor. The tape / ring has alternating magnetic north/south poles that are magnetized at a fixed distance called the pole pitch. The pole pitch is 1 mm for SME12; 2 mm for SME 22; and 5 mm for SME52. The conversion electronics inside the sensor translates the magnetic fields of the tape / ring into electrical signals equivalent to those of an incremental encoder or a linear scale. The readhead must be paired with the appropriated magnetic tape / ring (see the "3.2 Sensor and scale / ring combination" section on page 10).

SME12, SME22 and SME52 encoders are equipped with two sensors for detecting external limit switches (order code LKM-1309/LS). They are designed to mark out the travel of the application. The activation of the sensors is shown through LEDs.

In addition they also integrate a sensor for detecting an external Reference magnet (order code LKM-1309/x where "x" is the pole pitch) and are equipped with four diagnostic LEDs.

The flexibility of the scale allows the sensor to be used for both linear and angular applications. Furthermore it can be installed also on round surfaces and magnetic rings.

# 1 Safety summary



## 1.1 Safety

- Always adhere to the professional safety and accident prevention regulations applicable to your country during device installation and operation;
- installation and maintenance operations have to be carried out by qualified personnel only, with power supply disconnected and stationary mechanical parts;
- device must be used only for the purpose appropriate to its design: use for purposes other than those for which it has been designed could result in serious personal and/or the environment damage;
- high current, voltage and moving mechanical parts can cause serious or fatal injury;
- warning ! Do not use in explosive or flammable areas;
- failure to comply with these precautions or with specific warnings elsewhere in this manual violates safety standards of design, manufacture, and intended use of the equipment;
- Lika Electronic assumes no liability for the customer's failure to comply with these requirements.



## 1.2 Electrical safety

- Turn OFF the power supply before connecting the device;
- connect according to the explanation in the "Electrical connection" section on page 18;
- the wires of unused output signals must be cut at different lengths and insulated singularly;
- in compliance with 2014/30/EU norm on electromagnetic compatibility, the following precautions must be taken:
  - before handling and installing the equipment, discharge electrical charge from your body and tools which may come in touch with the device;
  - power supply must be stabilized without noise; install EMC filters on device power supply if needed;
  - always use shielded cables (twisted pair cables whenever possible);
  - avoid cables runs longer than necessary;
  - avoid running the signal cable near high voltage power cables;
  - mount the device as far as possible from any capacitive or inductive noise source; shield the device from noise source if needed;
  - to guarantee a correct working of the device, avoid using strong magnets on or near by the unit;



- minimize noise by connecting the cable shield and the frame to ground. Make sure that ground is not affected by noise. The connection point to ground can be situated both on the device side and on user's side. The best solution to minimize the interference must be carried out by the user;
- do not stretch the cable; do not pull or carry by cable; do not use the cable as a handle.



### 1.3 Mechanical safety

- Install the device following strictly the information in the "Mechanical installation" section on page 9;
- mechanical installation must be carried out with stationary mechanical parts;
- do not disassemble the unit;
- do not tool the unit;
- delicate electronic equipment: handle with care; do not subject the device to knocks or shocks;
- protect the unit against acid solutions or chemicals that may damage it;
- respect the environmental characteristics of the product;
- we suggest installing the unit providing protection means against waste, especially swarf as turnings, chips, or fillings; should this not be possible, please make sure that adequate cleaning measures (as for instance brushes, scrapers, jets of compressed air, etc.) are in place in order to prevent the sensor and the magnetic tape from jamming.

## 2 Identification

Device can be identified through the **order code** and the **serial number** printed on the label applied to its enclosure. Information is listed in the delivery document too. Please always quote the order code and the serial number when reaching Lika Electronic for purchasing spare parts or needing assistance. For any information on the technical characteristics of the product refer to the technical catalogue.



**Warning:** encoders having order code ending with "/Sxxx" may have mechanical and electrical characteristics different from standard and be supplied with additional documentation for special connections (Technical Info).



### 3 Mechanical installation

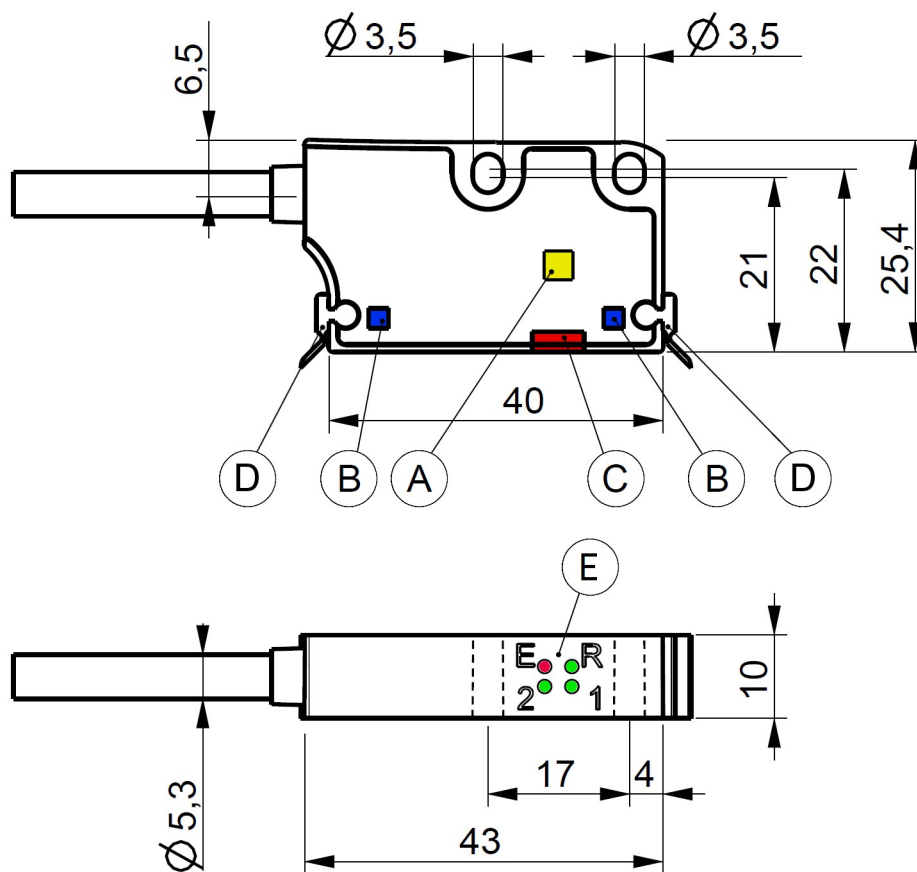


**WARNING**

Installation must be carried out by qualified personnel only, with power supply disconnected and mechanical parts compulsorily in stop.

**3.1 Overall dimensions**

(values are expressed in mm)



A	Reference sensor "R" (page 23)	D	Optional cleaning wipers (page 17)
B	Limit switch sensors "LS" (page 24)	E	Diagnostic LEDs (page 26)
C	Incremental sensor		

### 3.2 Sensor and scale / ring combination

The sensor has to be compulsorily paired with its specific type of magnetic scale or ring as indicated in the table below. For any information on the scale or ring please refer to the specific documentation.

Sensor	MT tape	MRI ring
SME12	MT10	MRI/xxx-xxx-1
SME22	MT20	MRI/xxx-xxx-2
SME52	MT50	MRI/xxx-xxx-5

### 3.3 Magnetic tape

As stated, each sensor model must be compulsorily paired with its specific type of magnetic scale (see the previous section). For detailed information on the tape and how to mount it properly, please refer to the specific technical documentation.

Make sure that the mechanical installation complies with the system's requirements for distance, planarity and parallelism between the readhead and the scale indicated in Figure 2 all along the whole measuring length.

MT magnetic tape can be provided with a cover strip to protect its magnetic surface (see the order code of the magnetic tape).

You can mount the readhead in both directions over the tape. The arrow in Figure 1 indicates the **standard counting direction** (the rising edge of A signal leads the rising edge of B signal) when the sensor moves in the direction indicated by the arrow; further information in the "4.6 Counting direction" section on page 23.

The external Reference "R" magnet order code **LKM-1309/x** and the limit switches "LS" order code **LKM-1309/LS** must be compulsorily installed as shown in Figure 3 and Figure 4. For complete information please refer to the "3.6 Mounting the sensor with "R" Reference" section on page 13; and to the "3.7 Mounting the sensor with LS1 and LS2 limit switches" section on page 14.

### 3.4 Magnetic rings

The flexibility of the scale allows the sensor to be used for both linear and angular applications. Furthermore it can be installed also on round surfaces and magnetic rings.

As stated, each sensor model must be compulsorily paired with its specific type of magnetic ring (see the "3.2 Sensor and scale / ring combination" section).

3.5 Mounting the sensor with magnetic tape

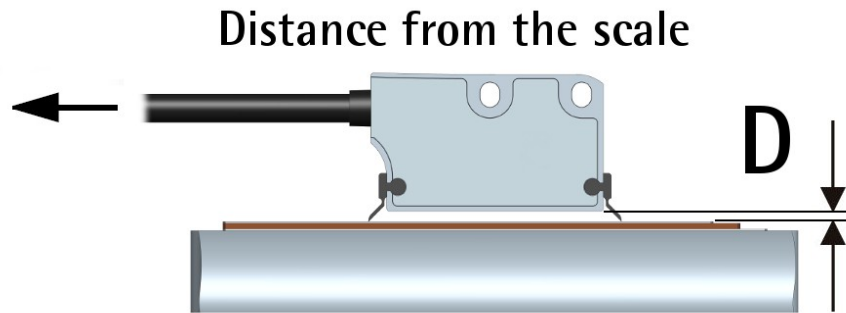


Figure 1 - Encoder / tape mounting gap

Make sure that the mechanical installation complies with the system requirements concerning distance, planarity and parallelism between the sensor and the scale as shown in Figure 2. Avoid contact between the parts.

Install the unit providing protection means against waste, especially swarf as turnings, chips or filings; should this not be possible, please make sure that adequate cleaning measures (as for instance brushes, scrapers, jets of compressed air, etc.) are in place in order to prevent the sensor and the magnetic scale from jamming. We suggest installing the optional cleaning wipers order code **KIT WIPERS**.

Fix the sensor by means of **two M3 15 mm min. long cylinder head screws** inserted in the provided slots.

The recommended tightening torque is **1.1 Nm**.

The recommended **minimum bend radius** of the cable is: **R ≥ 42 mm**.

Install the sensor and the magnetic scale as shown in the Figure. As previously stated, the arrow is intended to indicate the standard counting direction (the rising edge of A signal leads the rising edge of B signal).

Please note that the MT magnetic scale can be provided with a cover strip to protect its magnetic surface (see the order code). Therefore the distance between the sensor and the magnetic scale is different whether the cover strip is applied.

The distance D (see Figure 1) between the bottom of the encoder and the MT magnetic scale must be as follows:

Sensor	Distance D between sensor and MT tape	Distance D between sensor and cover strip
SME12	0.1 mm ÷ 0.5 mm 0.004" ÷ 0.019"	0.1 mm ÷ 0.3 mm 0.004" ÷ 0.012"

SME22	0.1 mm ÷ 1.0 mm 0.004" ÷ 0.039"	0.1 mm ÷ 0.7 mm 0.004" ÷ 0.027"
SME52	0.1 mm ÷ 2.0 mm 0.004" ÷ 0.078"	0.1 mm ÷ 1.7 mm 0.004" ÷ 0.067"

For better operation we suggest the following distance D:

Sensor	Recommended distance D between sensor and MT tape
SME12	0.25 mm ÷ 0.010"
SME22	0.50 mm ÷ 0.019"
SME52	1.0 mm ÷ 0.039"



**WARNING**

Make sure that the mechanical installation complies with the system's requirements for distance, planarity and parallelism between the readhead and the scale as shown in Figure 2 all along the whole measuring length.

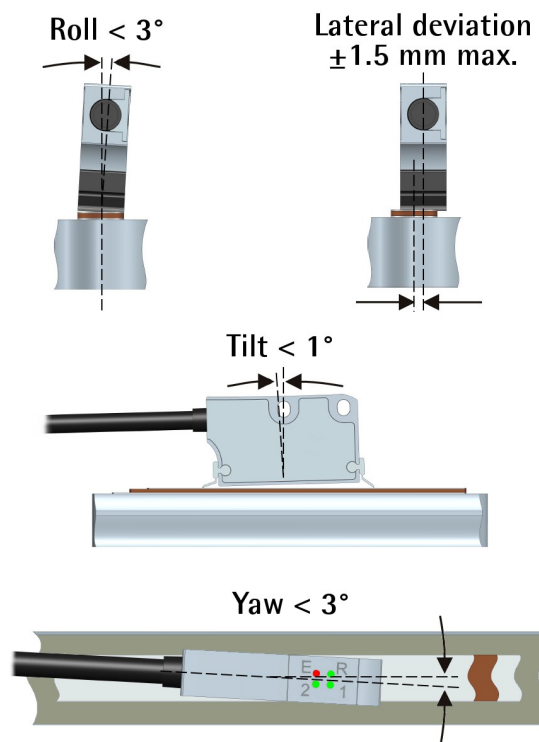
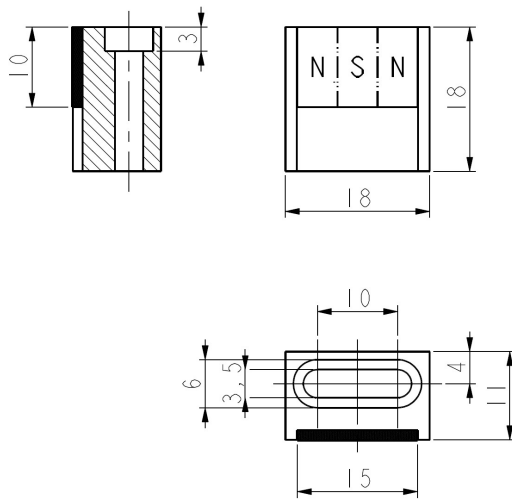


Figure 2 - Encoder / tape mounting tolerances

### 3.6 Mounting the sensor with "R" Reference



The Reference signal is available with "R" order code and in combination with **LKM-1309/x** Reference pole support; "x" is the pole pitch of the tape. It provides a single datum position along the scale for use at power-up or following a loss of power. The external Reference magnet is placed next to the scale on the side shown in the Figure at the preferred location to mark a relevant position in the travel (the home position, for instance). The R LED lights up when the sensor detects the LKM-1309/x external reference.

If the zero signal is not present on the output or has not the indicated length when the LED is ON, move the Reference Mark (LKM-1309/x) of about half a pole length to align it with the scale while keeping the same distance from the sensor. Further information in the "4.7 Reference "R"" section on page 23.

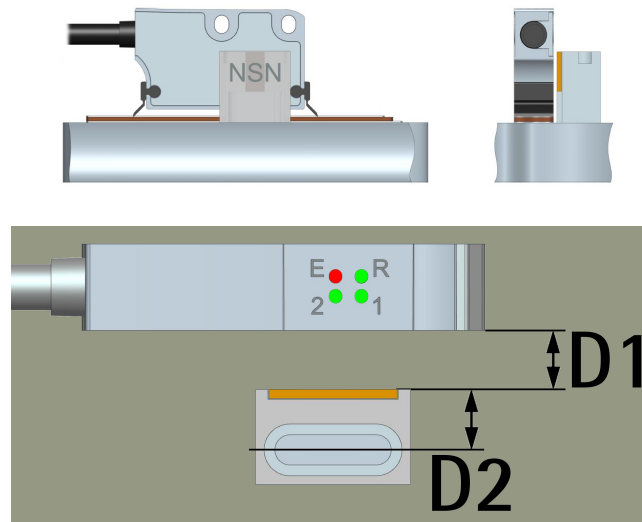


Figure 3 - External Reference

**D1:** gap to be compliant with between the sensor and the LKM-1309/x external magnet.

**D2:** distance from the centre of the fixing hole to the edge of the Reference Mark.

	D1	D2
SME12 / LKM-1309/1	0.1 – 0.3 mm 0.004" - 0.012"	7.3 mm 0.287"
SME22 / LKM-1309/2	0.5 – 0.7 mm 0.020" - 0.027"	7.5 mm 0.295"
SME52 / LKM-1309/5	0.5 – 1.0 mm 0.020" - 0.039"	7.5 mm 0.295"

### 3.7 Mounting the sensor with LS1 and LS2 limit switches

SME<sub>x</sub>2 linear encoders integrate two sensors designed to detect external limit switches (code LKM-1309/LS). They allow to detect the ends in the travel. External references LS1 and LS2 must be installed at either/both ends of the sensor's travel on the side shown in the Figure respecting the indicated tolerances. In this way at power-up or during operation the controller can determine whether the encoder is at an end-of-travel and in which direction to drive the axis. Further information on page 24.

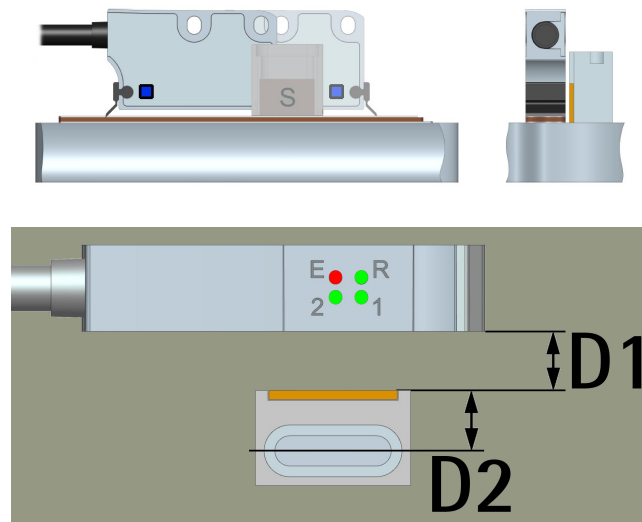


Figure 4 - External limit switches

**D1:** gap to be respected between the sensor and the LKM-1309/LS external magnet.

**D2:** distance from the centre of the fixing hole to the edge of Limit Switch Mark.

	D1	D2
SMEx2 - LKM-1309/LS	0.5 – 1.0 mm 0.020" - 0.039"	7.5 mm 0.295"

### 3.8 Measuring length

The **length of the tape** can be theoretically unlimited. The tape is supplied in rolls up to 100 m / 328 ft long.

The sensor area must always be fully within the limits of the tape magnetic surface, then the **maximum measuring length** is the maximum length of the tape minus the length of the sensor head (and further two safety sections at both end each one being min. 1-pole pitch long). For instance, if we use MT50 tape: if the travel in your application is 500 mm / 19.685", then the length of the tape to be installed will be: 500 mm / 19.685" (measuring length) + 40 mm / 1.575" (length of the readhead, see the Figure on page 9) + 2 x 5 mm (the length of two pole pitches of MT50 tape for safety reasons) = 550 mm / 21.653".

### 3.9 Mounting the sensor with MRI magnetic rings

As previously stated, the flexibility of the tape allows the sensor to be used also for angular applications. Furthermore it can be installed also on round surfaces or MRI type magnetic rings.

When the sensor is installed on magnetic rings having a 10 mm / 0.4" wide magnetic surface, line up both the sensor and the ring on the central axis. When magnetic rings having a 5 mm / 0.2" wide magnetic surface are used, line up the sensor and the ring as shown in Figure 5; please consider that the incremental sensor is located laterally in the sensing head. With 5 mm rings the mounting direction of the ring makes no difference (but ascertain that the sensor is properly aligned on the correct side!).

Install the unit providing protection means against waste, especially swarf as turnings, chips or filings; should this not be possible, please make sure that adequate cleaning measures (as for instance brushes, scrapers, jets of compressed air, etc.) are in place in order to prevent the sensor and the magnetic scale from jamming.

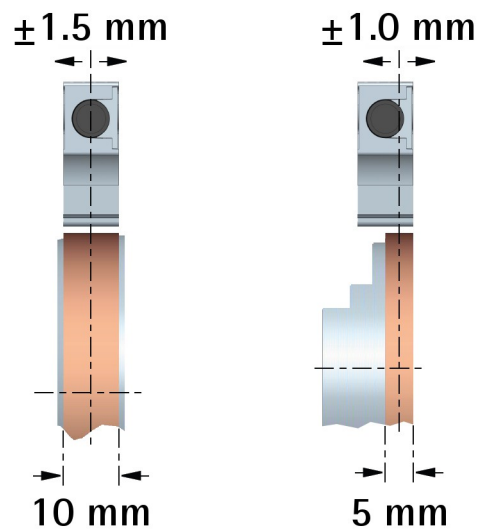


Figure 5 - Sensor / ring alignment

To learn about the mounting tolerances refer to the tables below as well as to Figure 2, Figure 5 and Figure 6.

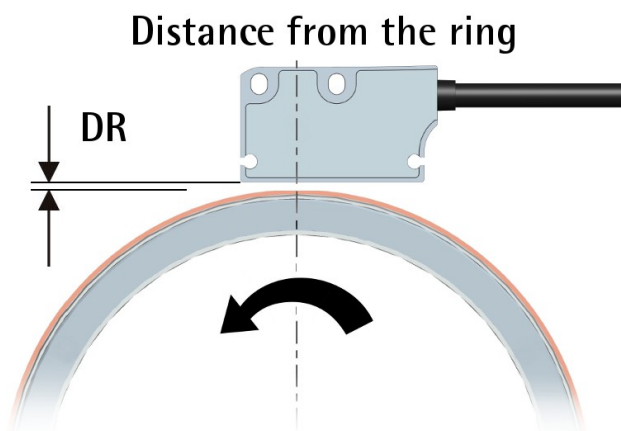


Figure 6 - Sensor / ring mounting gap

Sensor	Distance DR between sensor and MRI ring
SME12	0.1 mm ÷ 0.5 mm 0.004" ÷ 0.019"
SME22	0.1 mm ÷ 1.0 mm 0.004" ÷ 0.039"
SME52	0.1 mm ÷ 2.0 mm 0.004" ÷ 0.078"



Sensor	Recommended distance DR between sensor and MRI ring
SME12	0.25 mm ÷ 0.010"
SME22	0.50 mm ÷ 0.019"
SME52	1.0 mm ÷ 0.039"

### 3.10 Standard counting direction

The positive counting direction (the rising edge of A signal leads the rising edge of B signal) is achieved when the sensor moves on the tape according to the arrow shown in Figure 1; or when the ring turns according to the arrow shown in Figure 6. For further information see the "4.6 Counting direction" section on page 23.

### 3.11 Optional cleaning wipers (Figure 1)

This encoder can be optionally provided with rubber cleaning wipers to be mounted on the sensing head (order code **KIT WIPERS**). They are designed for debris removal from the magnetic tape surface in order to ensure a clear path of motion.

## 4 Electrical connection



### WARNING

Electrical connection must be carried out by qualified personnel only, with power supply disconnected and mechanical parts compulsorily in stop.



### WARNING

If wires of unused signals come in contact, irreparable damage could be caused to the device. Thus they must be cut at different lengths and insulated singularly.

### 4.1 M10 cable connection

Function	M10 cable
0Vdc	Black
+Vdc <sup>1</sup>	Red
A	Yellow
/A	Blue
B	Green
/B	Orange
0 <sup>2</sup>	White
/0 <sup>2</sup>	Grey
LS1 <sup>3</sup>	Brown
LS2 <sup>3</sup>	Violet
Shield	Shield

1 See the order code for power supply voltage level



### EXAMPLE

SME52-L-1-... +Vdc = +5Vdc ± 5%

SME52-YC-2-... +Vdc = +10Vdc +30Vdc

2 Reference "R" signals (see the "4.7 Reference "R"" section on page 23), see the order code.

3 LS1 / LS2 limit switch signals (see the "4.8 LS1 and LS2 limit switches" section on page 24).

**NOTE**

All sensors can provide inverted signals.

A = A signal;

/A = inverted A signal (or complementary signal).

All Lika's magnetic sensors can provide ABO, /ABO output signals. You are advised to always connect the inverted signals if the receiving device will accept them. Otherwise each output should be insulated singularly.

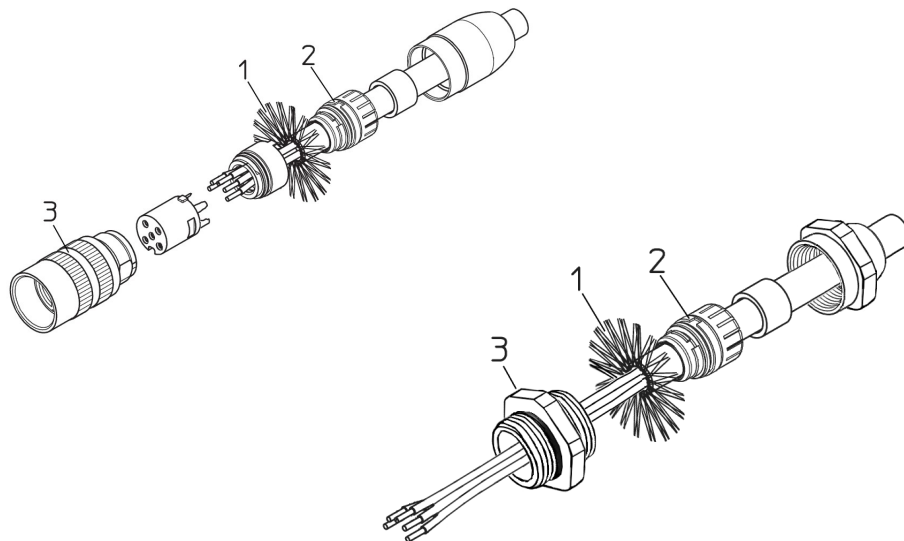
**4.2 M10 cable specifications**

Model	: LIKA HI-FLEX sensor cable type M10
Cross section	: 2 x 0.22 mm <sup>2</sup> + 8 x 0.14 mm <sup>2</sup> (24/26AWG)
Jacket	: Matt Polyurethane (TPU) halogen free, oil, hydrolysis, abrasion resistant
Shield	: Tinned copper braid, coverage > 85%
Outer diameter	: 5.7 ± 0.2 mm (0.224" ± 0.008")
Min. bending radius	: outer diameter x 7.5
Work temperature: dyn	-40 +90°C (-40° +194°F) / fix -50 +90°C (-58° +194°F)
Conductor resistance	: <90 Ω/Km (0.22 mm <sup>2</sup> ), <148 Ω/Km (0.14 mm <sup>2</sup> )

The total length of the cable that connects the sensor and the receiving device should not exceed the values stated in the "Cable lengths" section of the linear encoders' catalogue; they are specific for each type of output circuit. If you need to reach greater distances please contact Lika Electronic Technical Dept.

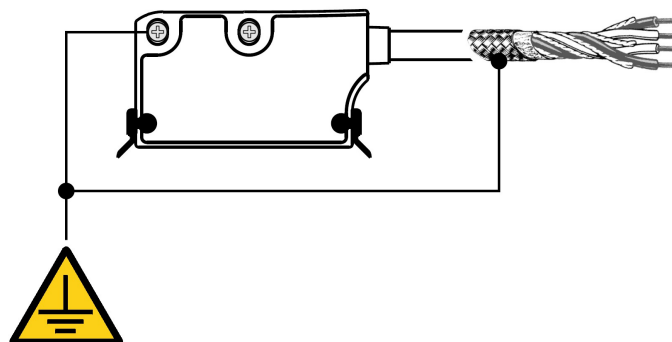
### 4.3 Connection of the shield

For signals transmission always use shielded cables. The cable shielding must be connected properly to the metal ring nut **3** of the connector in order to ensure a good earthing through the frame of the device. To do this disentangle and shorten the shielding **1** and then bend it over the part **2**; finally place the ring nut **3** of the connector. Be sure that the shielding **1** is in tight contact with the ring nut **3**.



### 4.4 Ground connection

Minimize noise by connecting the cable shield and the sensor to ground. Make sure that ground is not affected by noise. The connection point to ground can be situated both on the device side and on the user's side. The best solution to minimize the interference must be carried out by the user. You are advised to provide the ground connection as close as possible to the encoder.



4.5 AB0, /AB0 output channels

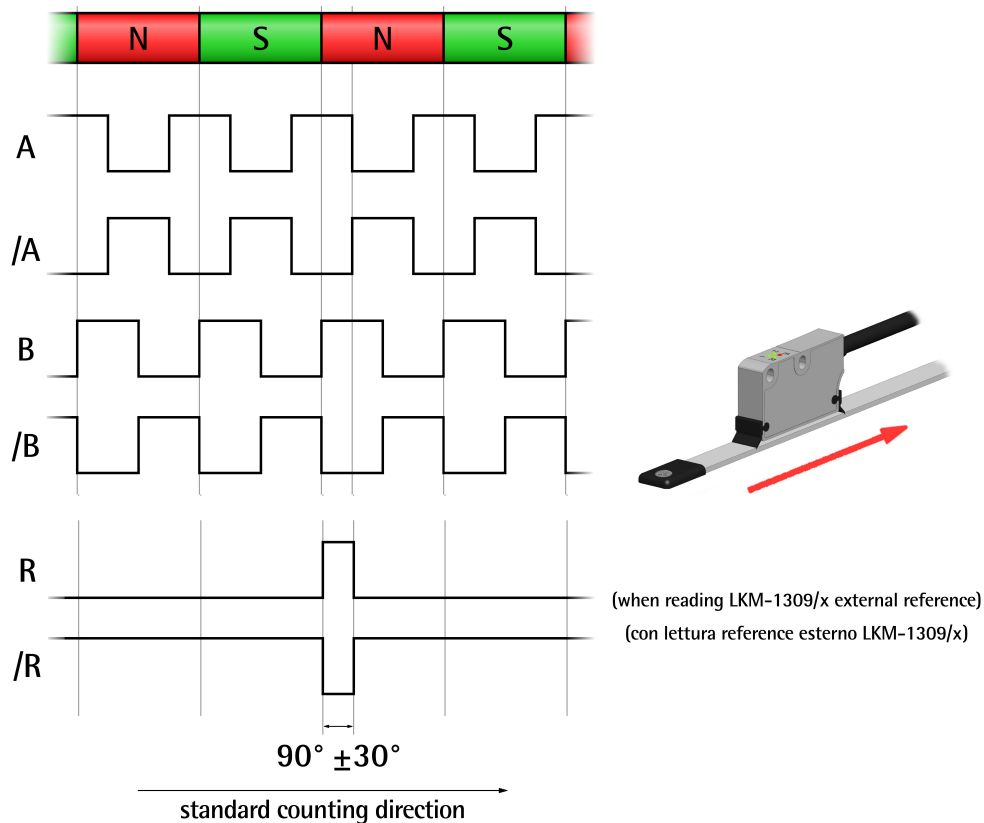


Figure 7 - Example with interpolation factor x4

The conversion electronics inside the sensor translates the magnetic fields of the scale / ring into electrical signals equivalent to those of an incremental encoder or similar incremental optical devices.

The frequency of the output signal is proportional to the measuring speed and the displacement of the sensor.

Resolution after quadrature (reading of four edges) can be determined by the order code of the sensor.

If you need to know the interpolation factor, then you have to divide the pole pitch value by the resolution indicated in the order code.



**EXAMPLE**

Let's suppose we are using an SME52-xx-x-**50**-... linear encoder paired with the MT50 magnetic scale; as the pole pitch is 5 mm / 0.1968" long and the resolution is 5 µm = 0.05 mm, this means that the interpolation factor is x100 (5 mm / 0.05 mm).

When we pair the encoder with magnetic rings, the interpolation factor is useful to calculate the number of encoder PPRs.



**EXAMPLE**

Let's suppose we are using an SME52-xx-x-**50**-... linear encoder paired with the MRI/141-**90**-5-120 magnetic ring where 90 is the number of ring poles. As you can see in the example above, the interpolation factor is x100. We have to calculate the number of edges per revolution (intended after multiplying by 4) first.

The number of edges per revolution results from:

$$\text{interpolation} * \text{number of ring poles}$$

So, in our example we will get:

$$100 * 90 = 9,000 \text{ edges per revolution}$$

Encoder PPRs result from the following calculation:

$$\text{Encoder PPRs} = \frac{\text{Edges/rev.}}{4} = \frac{9,000}{4} = 2,250 \text{ PPR}$$



**WARNING**

The position value issued by the sensor is expressed in pulses; to convert the pulses into a metric measuring unit you must multiply the number of detected pulses by the resolution expressed in millimetres or micrometres.



**EXAMPLE**

SME52-xx-x-**50**-...  
 resolution = 50 µm = 0.05 mm  
 detected pulses = 71  
 position value = 71 \* 50 = 3550 µm = 3.55 mm

**NOTE**

The **standard counting direction** (the channel A leads the channel B) is to be intended with sensor moving as shown in Figure 1 in a linear application; with ring turning as indicated by the arrow in Figure 6 in a rotary application.

**4.6 Counting direction**

By default the phase relationship between A and B channels is so that the rising edge of A channel leads the rising edge of B channel when the encoder moves in the direction shown by the arrow in Figure 1 in a linear application; or when the ring turns as indicated by the arrow in Figure 6 in a rotary application (see the "4.5 ABO, /ABO output channels" section on page 21). Thus the counter in the subsequent electronics will get a count up. It cannot be changed.

**4.7 Reference "R"**

Reference signals (0, /0) are available with "R" order code and in combination with LKM-1309/x support. They provide a single datum position along the scale for use at power-up or following a loss of power. The external Reference magnet is placed next to the scale on the side shown in Figure 3 at the preferred location to mark a relevant position in the travel (the home position, for instance). The R LED lights up when the sensor detects the LKM-1309/x external reference. Please note that this does not mean that the Reference pulse is output in the same time: the Reference pulse is synchronized with A and B channels within the South pole (Figure 8) and has a duration of one measuring step (90 electrical degrees). Thus, it may be either not output yet or already output while the LED is lit. The accuracy and the duration of the Reference pulse may vary depending on the alignment of the Reference and the magnetic scale, see the Figure 8. The amplitude is according to the power supply voltage level. For additional information refer to the "3.6 Mounting the sensor with "R" Reference" section on page 13.

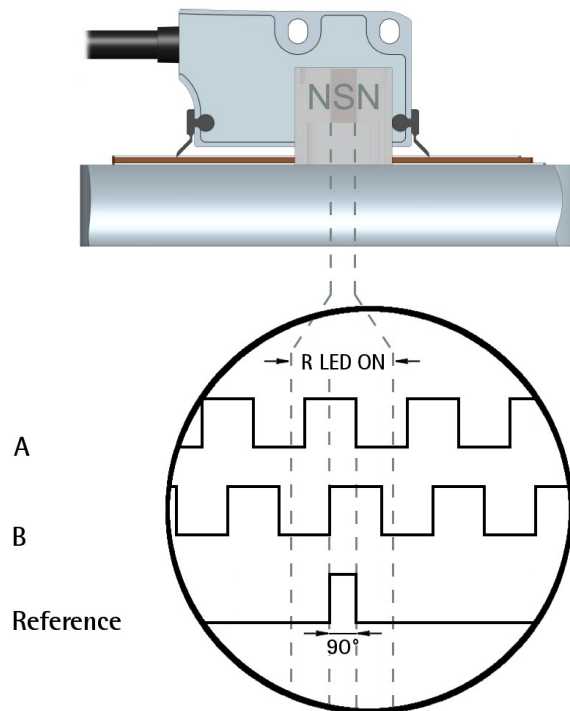


Figure 8 - Reference

#### 4.8 LS1 and LS2 limit switches

SME<sub>Ex</sub>2 linear encoders integrate two sensors designed to detect external limit switches (code LKM-1309/LS). They allow to detect the ends in the travel. External references LS1 and LS2 must be installed at either/both ends of the sensor's travel on the side shown in the Figure and according to the indicated tolerances. In this way at power-up or during operation the controller can determine whether the encoder is at an end-of-travel and in which direction to drive the axis.



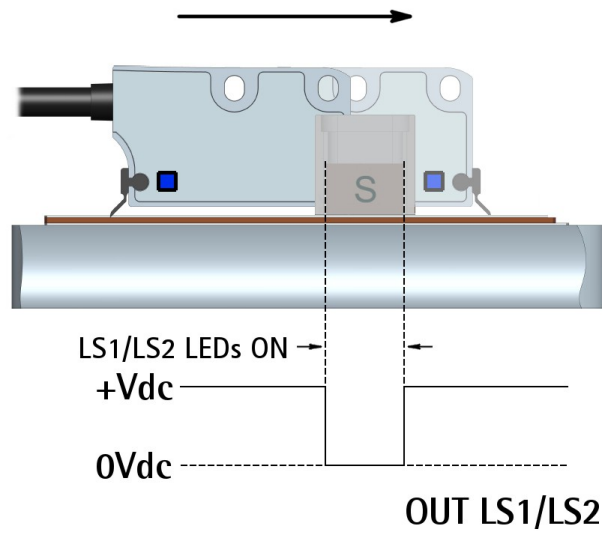
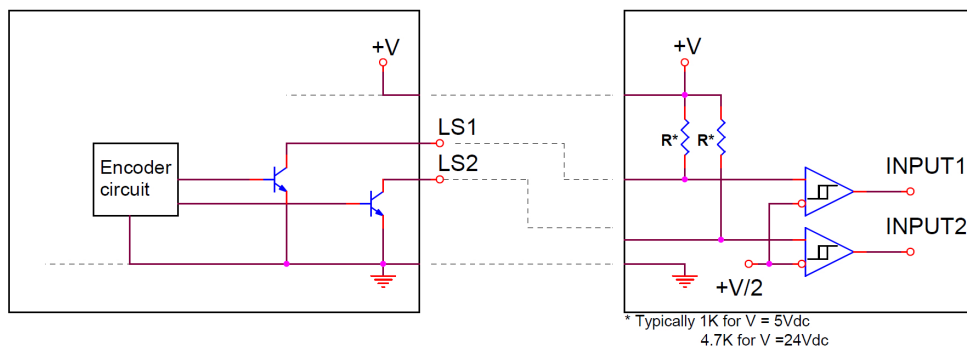


Figure 9 - LS limit switches

Outputs of limit switches LS1 and LS2 are open collector type and have  $I_{max} = 50 \text{ mA}$ . The signal is normally at logic level high (+Vdc) and switches to logic level low (0Vdc) as soon as the external limit switch is detected. The signal is kept at logic level low (0Vdc) as long as the sensor is within the active area of the external limit switch.

LS1 and LS2 LEDs light up when the sensor detects the relevant LKM-1309/LS external limit switch.



4.9 Diagnostic LEDs (Figure 10)

Four LEDs located in the upper face of the encoder enclosure are intended to show visually the work status of the device as explained in the following table.

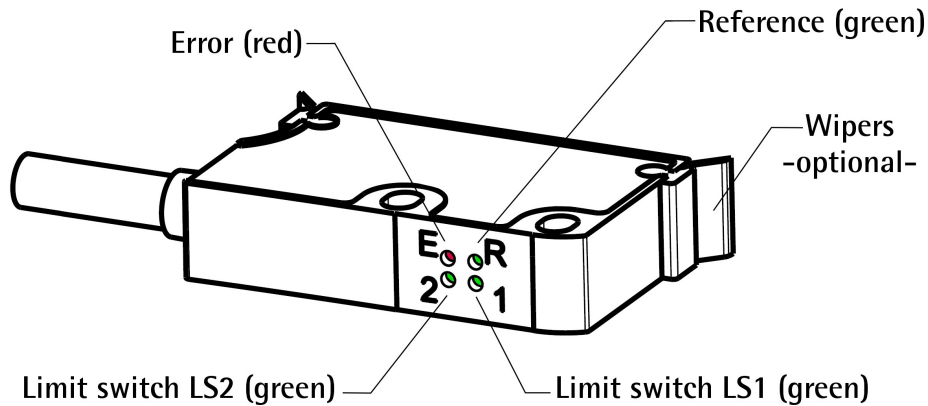


Figure 10 - Diagnostic LEDs and optional cleaning wipers

1 GREEN LED (Limit Switch LS1)	Description
ON Green	It lights up when the LS1 sensor detects the external LKM-1309/LS1 limit switch. It is equivalent to the logic level low (0) of the LS1 open collector signal. Refer to the "4.8 LS1 and LS2 limit switches" section on page 24. It is on for the whole period length (Figure 9).
OFF	External limit switch not detected.

2 GREEN LED (Limit Switch LS2)	Description
ON Green	It lights up when the LS2 sensor detects the external LKM-1309/LS2 limit switch. It is equivalent to the logic level low (0) of the LS2 open collector signal. Refer to the "4.8 LS1 and LS2 limit switches" section on page 24. It is on for the whole period length (Figure 9).
OFF	External limit switch not detected.

E RED LED (error status)	Description
ON Red	It warns of the presence of an error. <ul style="list-style-type: none"> <li>Distance error: the specified mounting</li> </ul>

	<p>tolerances between sensor and tape (or ring) are not met; please refer to the "Mechanical installation" section on page 9.</p> <ul style="list-style-type: none"> <li>• Speed error: overspeed detected, the sensor exceeded the frequency limit and the zero may be lost; the rotational speed of the ring is too high and the sensor may have lost the zero; switch off and then on the power supply. For more information please refer to the technical datasheet.</li> <li>• Internal error of the conversion electronic (interpolator).</li> <li>• The presence of external noise may cause malfunctioning or a decrease in the quality of the signals.</li> </ul>
OFF	No error is active currently.

R GREEN LED (Reference)	Description
ON Green	It is ON as long as the external Reference is detected (see Figure 7 and Figure 8). Refer to the "4.7 Reference "R"" section on page 23. It is on for the whole period length (Figure 8).
OFF	External Reference not detected.

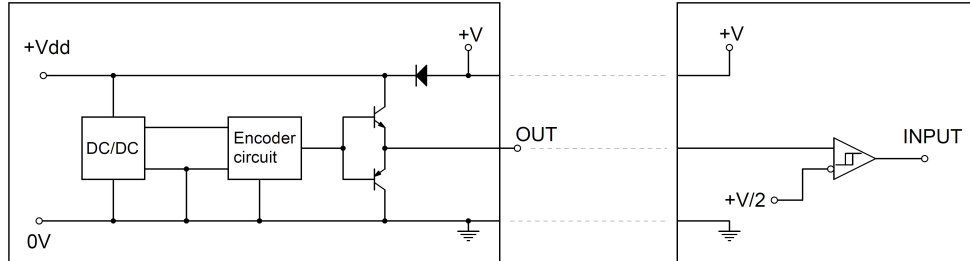


**NOTE**

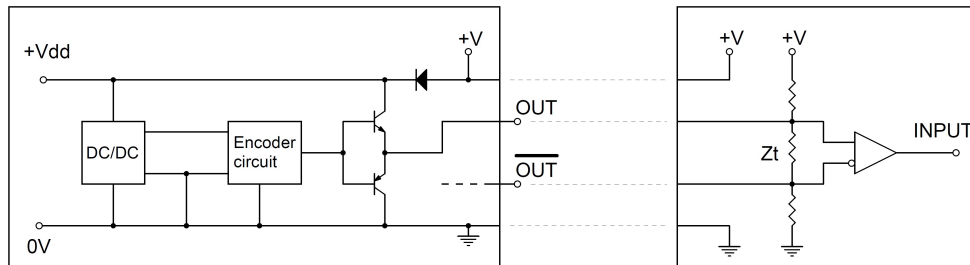
If an error occurs switch off and then on again the encoder and check whether the problem is cleared up and the LED turns off.

4.10 Recommended circuit

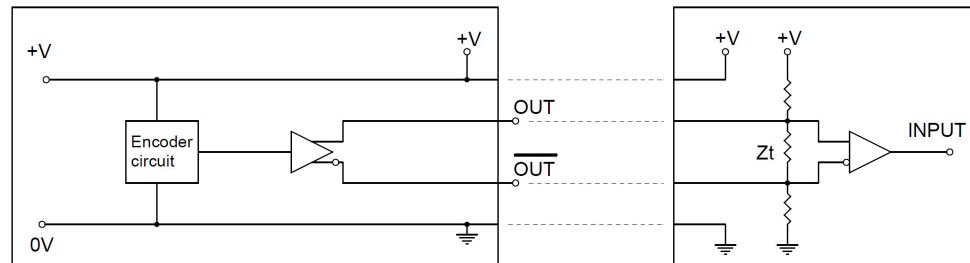
Push-Pull (Y order code)



Push-Pull (YC order code)



Line Driver (L order code)



## 5 Maintenance and troubleshooting

The magnetic measurement system does not need any particular maintenance; please always consider it is a delicate electronic equipment and therefore it must be handled with care. From time to time we recommend the following operations:

- Check the mounting tolerances between the sensor and the magnetic scale / magnetic ring all along the measuring length. Wear of the machine may increase the tolerances.
- The surface of the magnetic scale / magnetic ring should be cleaned periodically using a soft cloth to remove dust, chips, moisture etc.

The following list shows some typical faults and errors that may occur during installation and operation of the magnetic measurement system. Refer also to the "4.9 Diagnostic LEDs (Figure 10)" section on page 26.

**Fault:**

The system does not work (no pulse output).

**Possible cause:**

- The scale or the sensor has been mounted incorrectly (the active part of the scale does not match the active side of the sensor).
- A magnetic piece or an inappropriate strip is in between the sensor and the scale / ring. Only non-magnetic materials are allowed between the sensor and the scale / ring.
- The sensor touches the scale / ring: the mounting tolerances are not met. Check if the active side of the sensor is damaged.
- The sensor has been damaged by a short circuit or a wrong connection.
- An internal error of the conversion electronics has occurred (interpolator).

**Fault:**

The measured values are inaccurate.

**Possible cause:**

- The mounting tolerances between the sensor and the scale / ring are not met all along the whole measurement length.
- The connection cable runs near to high voltage cable or shield is not connected correctly. See the "4 -Electrical connection" section on page 18.
- The presence of external noise may cause malfunctioning or a decrease in the quality of the signals.
- The max. counting frequency of your receiving device is too low.

- A section of the magnetic scale / ring has been damaged mechanically or magnetically along the measuring length.
- The measuring error is caused by torsion of the machine structure. Check parallelism and symmetry of machine movement.

**NOTE**

If an error occurs switch off and then on again the encoder and check whether the problem is cleared up and the LED turns off.

This page intentionally left blank

Document release	Release date	Description	HW	SW	Interface
1.0	27.02.2012	First issue	-	-	-
1.1	14.10.2013	Tolerance values updated	-	-	-
1.2	01.08.2014	General revision	-	-	-
1.3	11.02.2015	Sections "3 – Mechanical installation" and "5 – Output signals" revised	-	-	-
1.4	16.06.2016	General revision	-	-	-
1.5	10.07.2018	New mechanical and electrical version	1	1.0	-



Dispose separately

**lika**

**Lika Electronic**

Via S. Lorenzo, 25 • 36010 Carrè (VI) • Italy

Tel. +39 0445 806600

Fax +39 0445 806699



info@lika.biz • www.lika.biz