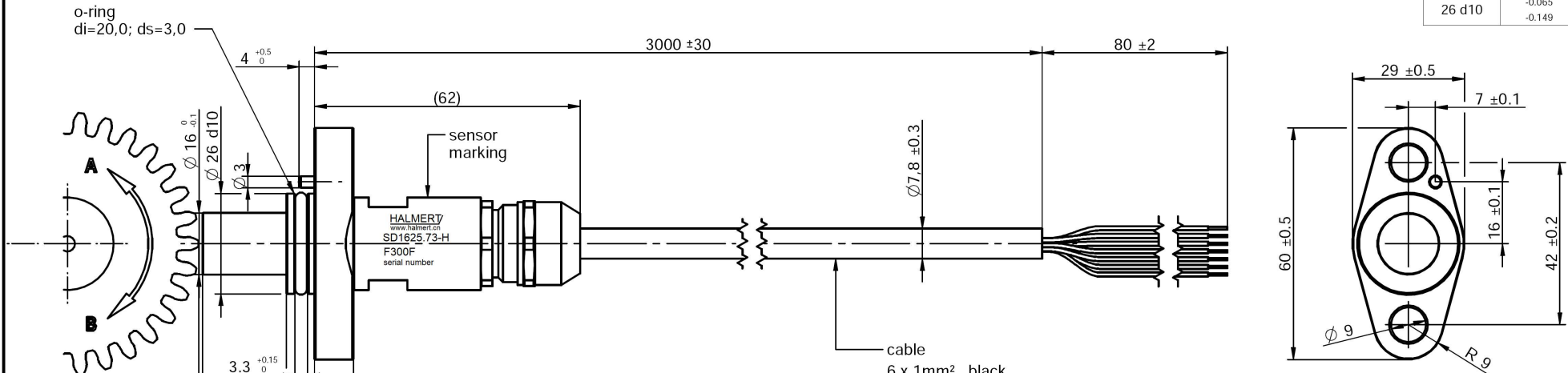
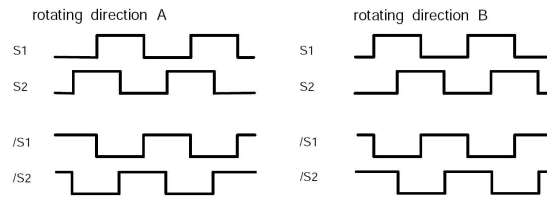


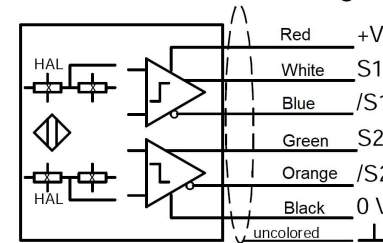
Passmass / fit size	Abmasse / tolerances
26 H8	+0.033 0.000
26 d10	-0.065 -0.149



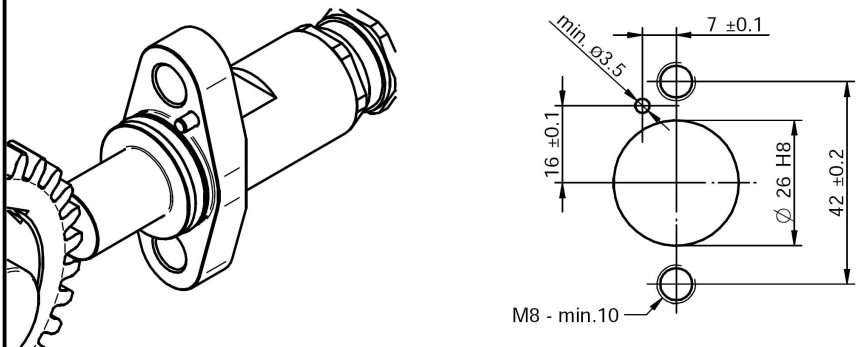
pulse diagram



schematic diagram



Recommended interface layout



PN.: 90235		Material:1.4305(housing)		Dimension mm	Copy right belong to HALMERT					
Reference tolerance for undefined										
Dimension range		>=0.5 ->6	>6 ->30	>30 ->120	>120 ->400	>400 ->1000	>1000 ->2000			
Tolerance ±		0.1	0.2	0.3	0.5	0.8	1.2			
Rev.	Date	Sign.	Others No		Draw: HZ	Draw date: 30.12.22				
			Check: SZ		Check date: 30.12.22					
PART NAME			Rate: 3:2		Approve:		Approve date:			
Speed Sensor SD1625.73-H F300F			Format		Status	Doc. No.	Version			
			A4		Preliminary	90235-01	Rev.01			
			HALMERT/ www.halmert.cn							