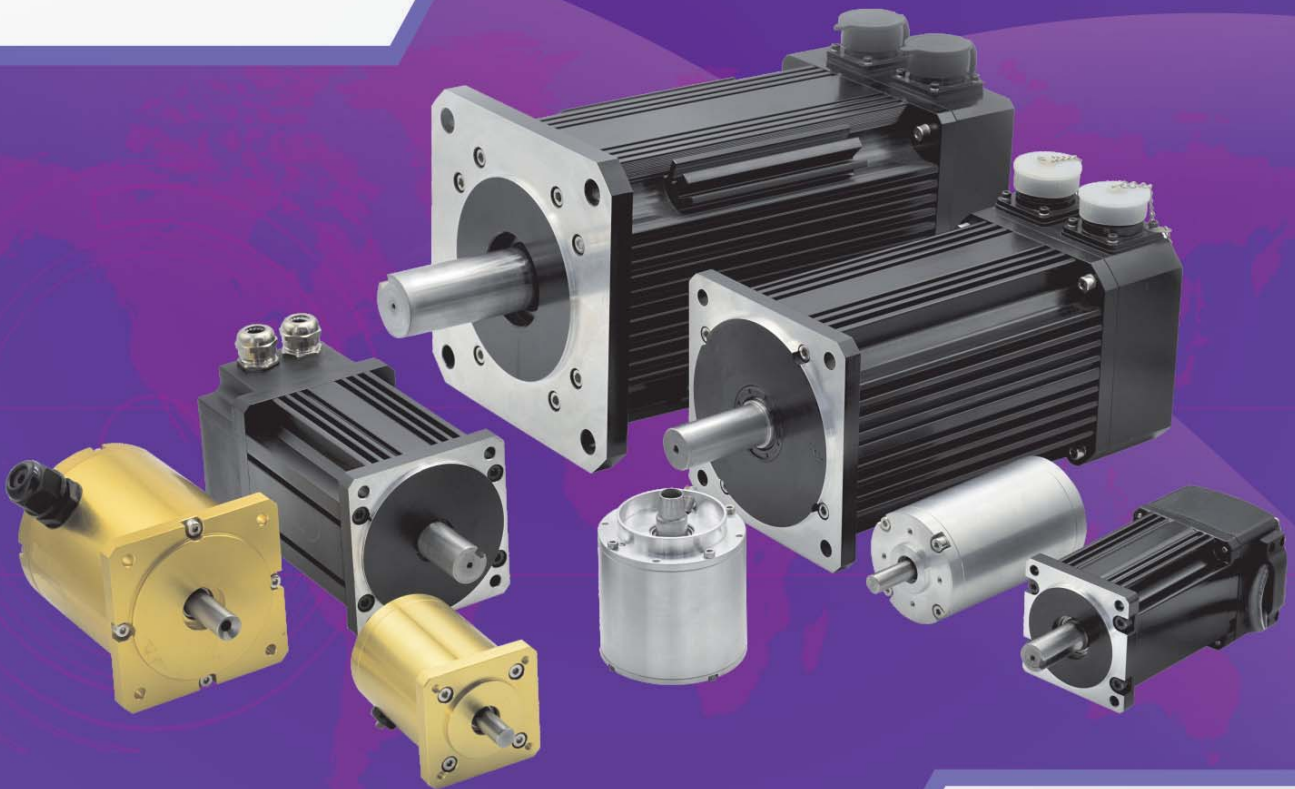


W SERIES

ISSUE 1

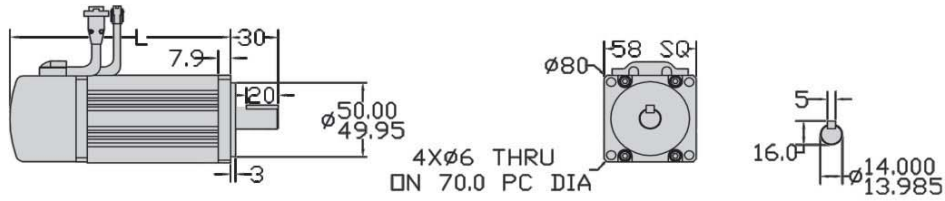


Brushless DC/AC Servomotors

MYG

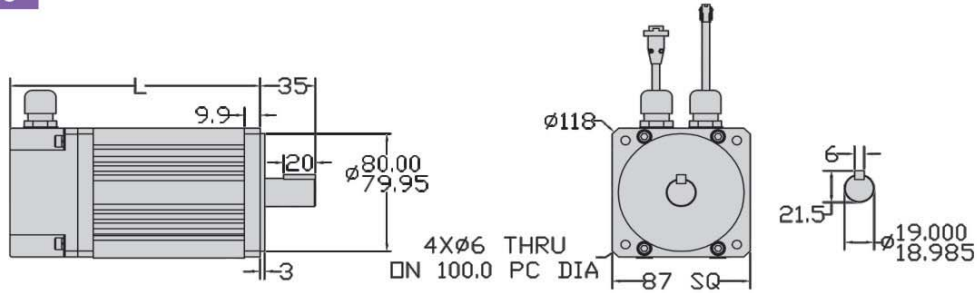
W SERIES

W58



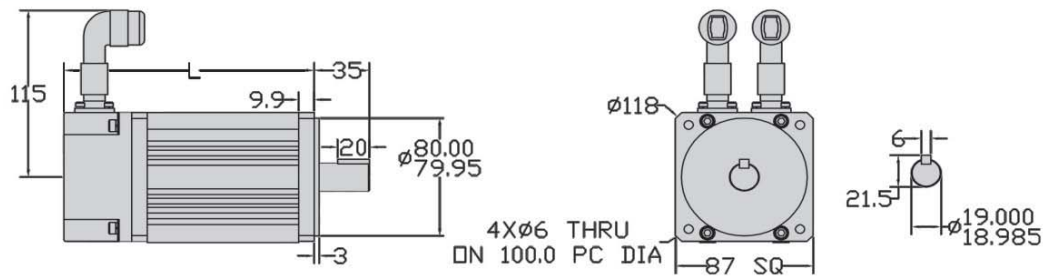
MODEL	L	
	WITH ENCODER	WITH ENCODER AND BRAKE
W58-04	114.7	153.8
W58-06	127.4	166.5
W58-08	140.1	179.2
W58-10	152.8	191.9
W58-12	165.5	204.6
W58-16	190.9	230.0

W86



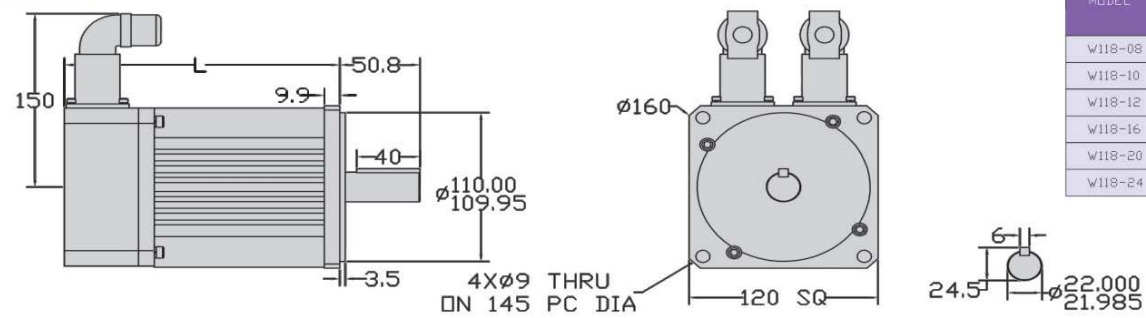
MODEL	L	
	WITH ENCODER	WITH ENCODER AND BRAKE
W86-04	133.4	175.7
W86-06	146.1	188.4
W86-08	158.8	201.1
W86-12	184.2	226.5
W86-16	209.6	251.9
W86-24	260.4	302.7

W86



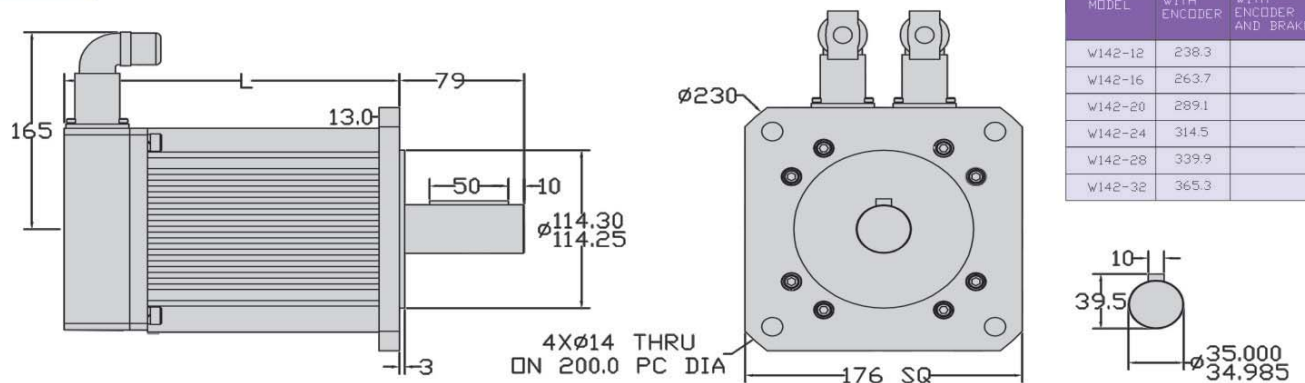
MODEL	L	
	WITH ENCODER	WITH ENCODER AND BRAKE
W86-04	133.4	175.7
W86-06	146.1	188.4
W86-08	158.8	201.1
W86-12	184.2	226.5
W86-16	209.6	251.9
W86-24	260.4	302.7

W118



MODEL	L	
	WITH ENCODER	WITH ENCODER AND BRAKE
W118-08	174.9	225.8
W118-10	187.6	238.5
W118-12	200.3	251.2
W118-16	225.7	276.6
W118-20	251.1	302.0
W118-24	276.5	327.4

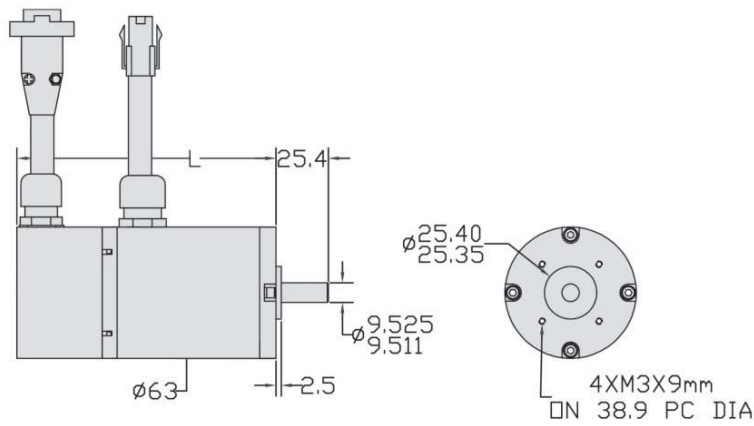
W142



MODEL	L	
	WITH ENCODER	WITH ENCODER AND BRAKE
W142-12	238.3	
W142-16	263.7	
W142-20	289.1	
W142-24	314.5	
W142-28	339.9	
W142-32	365.3	

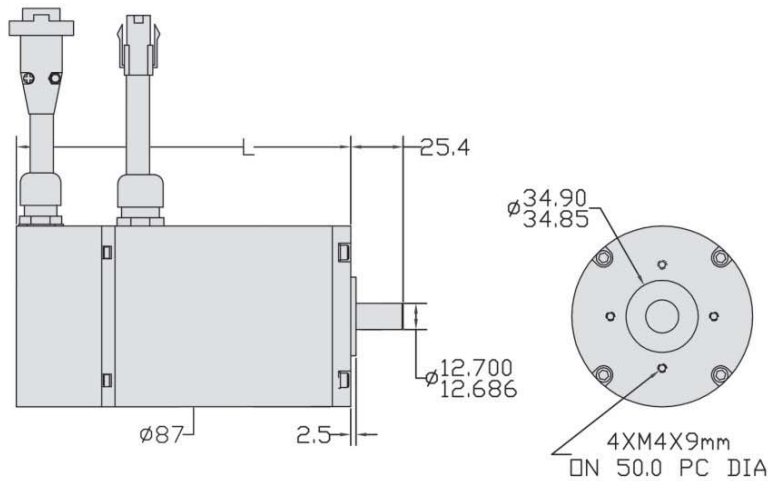
W SERIES

W58



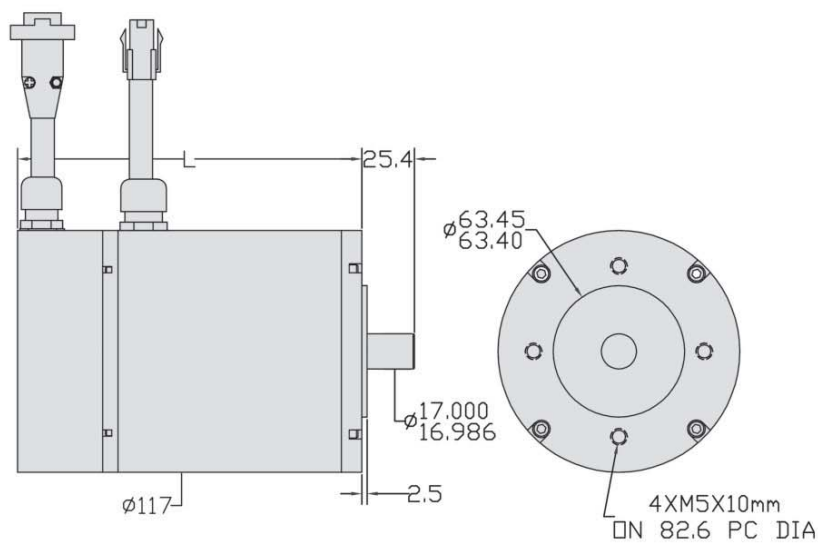
MODEL	L	
	WITH ENCODER	WITH ENCODER AND BRAKE
W58-04	125.2	157.2
W58-06	137.9	169.9
W58-08	150.6	182.6
W58-10	163.3	195.3
W58-12	176.0	208.0
W58-16	201.4	233.4

W86



MODEL	L	
	WITH ENCODER	WITH ENCODER AND BRAKE
W86-04	142.3	188.3
W86-06	155.0	201.0
W86-08	167.7	213.7
W86-12	193.1	239.1
W86-16	218.5	264.5
W86-24	269.3	315.3

W118



MODEL	L	
	WITH ENCODER	WITH ENCODER AND BRAKE
W118-08	174.9	225.8
W118-10	187.6	238.5
W118-12	200.3	251.2
W118-16	225.7	276.6
W118-20	251.1	302.0
W118-24	276.5	327.4

W SERIES

Motor type	Winding		Voltage gradient +15% - 5%	Net weight (no brake fitted)	Body Length	Cont. stall torque	Cont. stall current (rms)	Max. Cogging torque	Peak torque	Max. Peak current	Resist-ance	Induct-ance	Max. Mechani- cal speed	Rotor inertia (no brake fitted)	Torque constant (3x Ktrms)	Max. EMF speed	Nominal speed	Nominal torque	Nominal power
			V/Krpm	kg	mm	Nm	Amps	Nm	Nm	Amps	Ohms	mH	R.P.M.	kg.cm ²	Nm/A	V	rpm	Nm	kW
W58-04	D	●	4.7	0.7	114.7	0.6	11.24	0.020	2.2	40	0.33	0.43	8000	0.068	0.055	38	4500	0.6	0.28
	E	●	6.0	0.7	114.7	0.6	8.81	0.020	2.2	31.5	0.52	0.68	8000	0.068	0.070	48	4000	0.6	0.25
	G		9.2	0.7	114.7	0.6	5.74	0.020	2.2	20.5	1.25	1.66	8000	0.068	0.108	74	3500	0.6	0.22
	H		11.6	0.7	114.7	0.6	4.56	0.020	2.2	16.3	1.98	2.62	8000	0.068	0.136	93	3200	0.6	0.20
	J	●	18.4	0.7	114.7	0.6	2.87	0.020	2.2	10.3	4.93	6.55	8000	0.068	0.216	147	3200	0.6	0.20
W58-06	D	●	7.1	0.9	127.4	0.9	10.6	0.037	3.11	37.6	0.4	0.81	8000	0.106	0.083	57	4000	0.85	0.36
	F	●	11.4	0.9	127.4	0.9	6.6	0.037	3.11	23.4	0.92	1.44	8000	0.106	0.134	91	4000	0.85	0.36
	G	●	14.4	0.9	127.4	0.9	5.23	0.037	3.11	18.6	1.4	2.27	8000	0.106	0.169	115	4000	0.85	0.36
	H	●	18.1	0.9	127.4	0.9	4.16	0.037	3.11	14.8	2.3	3.58	8000	0.106	0.213	145	4000	0.85	0.36
	J	●	28.7	0.9	127.4	0.9	2.62	0.037	3.11	9.3	5.7	8.95	8000	0.106	0.337	230	4000	0.85	0.36
W58-08	2F	●	7.5	1.1	140.1	1.1	11.64	0.037	3.66	41.5	0.27	0.54	8000	0.144	0.088	60	4000	1	0.42
	E	●	12.0	1.1	140.1	1.1	7.27	0.037	3.66	25.9	0.68	1.35	8000	0.144	0.141	96	4000	1	0.42
	G		18.9	1.1	140.1	1.1	4.62	0.037	3.66	16.5	1.69	3.36	8000	0.144	0.222	151	4000	1	0.42
	H		23.8	1.1	140.1	1.1	3.67	0.037	3.66	13.1	2.68	5.32	8000	0.144	0.280	190	4000	1	0.42
	J		37.1	1.1	140.1	1.1	2.35	0.037	3.66	8.4	6.43	13.4	8000	0.144	0.436	297	4000	1	0.42
W58-12	D	●	14.1	1.5	165.5	1.4	7.61	0.060	4.39	26.9	0.68	0.95	8000	0.212	0.166	113	4500	1.2	0.57
	E	●	18.0	1.5	165.5	1.4	5.96	0.060	4.39	21.1	1.07	1.51	8000	0.212	0.211	144	4000	1.2	0.50
	G		28.3	1.5	165.5	1.4	3.79	0.060	4.39	13.4	2.68	3.76	8000	0.212	0.332	226	3500	1.2	0.44
	H		35.6	1.5	165.5	1.4	3.01	0.060	4.39	10.7	4.23	5.95	8000	0.212	0.418	285	3500	1.2	0.44
	J	●	56.6	1.5	165.5	1.4	1.9	0.060	4.39	6.7	10.55	14.85	8000	0.212	0.665	453	3000	1.2	0.38
W60-04	2E		6.8	0.7	114.7	0.69	9.1	0.056	2.07	31.4	0.26	0.47	8000	0.068	0.080	54	4500	0.67	0.32
	2G		10.5	0.7	114.7	0.69	5.89	0.056	2.07	20.4	0.64	1.18	8000	0.068	0.123	84	4000	0.67	0.28
	E		13.6	0.7	114.7	0.69	4.55	0.056	2.07	15.7	1.06	1.87	8000	0.068	0.160	109	4000	0.67	0.28
	g		23.5	0.7	114.7	0.69	2.63	0.056	2.07	9.1	3.16	7.36	8000	0.068	0.276	188	3500	0.67	0.25
	I		31.8	0.7	114.7	0.69	1.95	0.056	2.07	6.7	6.04	11.63	8000	0.068	0.374	254	3000	0.67	0.21
	J		39.5	0.7	114.7	0.69	1.57	0.056	2.07	5.4	9.09	29.04	8000	0.068	0.464	316	3000	0.67	0.21
W60-08	4E		6.6	1.2	140.1	1.2	15.61	0.081	3.6	54.4	0.1	0.16	8000	0.144	0.078	53	5000	1.13	0.59
	3E		8.8	1.2	140.1	1.2	11.71	0.081	3.6	40.8	0.17	0.28	8000	0.144	0.103	70	5000	1.13	0.59
	2E		13.6	1.2	140.1	1.2	7.58	0.081	3.6	26.4	0.4	0.66	8000	0.144	0.160	109	5000	1.13	0.59
	2G		21.1	1.2	140.1	1.2	4.88	0.081	3.6	17	0.95	1.58	8000	0.144	0.248	169	5000	1.13	0.59
	F		33.4	1.2	140.1	1.2	3.08	0.081	3.6	10.7	2.39	3.97	8000	0.144	0.392	267	4500	1.13	0.53
	G		42.2	1.2	140.1	1.2	2.44	0.081	3.6	8.5	3.81	6.32	8000	0.144	0.496	338	4000	1.13	0.47
W86-06	2D	●	6.00	2.1	146.1	1.9	27.67	0.114	6.73	97.00	0.125	0.21	6000	0.466	0.070	36	3600	1.84	0.69
	D	●	12.00	2.1	146.1	1.9	13.84	0.114	6.73	48.50	0.49	0.83	6000	0.466	0.141	72	3900	1.84	0.75
	F		19.06	2.1	146.1	1.9	8.71	0.114	6.73	30.50	1.23	2.07	6000	0.466	0.224	114	4100	1.84	0.79
	G		23.65	2.1	146.1	1.9	7.02	0.114	6.73	24.60	1.94	3.27	6000	0.466	0.278	142	4000	1.84	0.77
	H		30.00	2.1	146.1	1.9	5.53	0.114	6.73	19.40	3.07	5.16	6000	0.466	0.352	180	3900	1.84	0.75
	K		60.00	2.1	146.1	1.9	3.32	0.114	6.73	11.60	12.12	20.36	6000	0.466	0.705	360	3300	1.84	0.64
W86-08	C	●	12.70	2.6	158.8	2.7	18.58	0.088	9.81	66.40	0.29	0.7	6000	0.621	0.149	76	4000	2.68	1.12
	E	●	19.60	2.6	158.8	2.7	12.04	0.088	9.81	43.00	0.7	1.75	6000	0.621	0.230	118	4200	2.68	1.18
	F		24.40	2.6	158.8	2.7	9.67	0.088	9.81	34.60	1.1	2.77	6000	0.621	0.287	146	3700	2.68	1.04
	G		30.27	2.6	158.8	2.7	7.80	0.088	9.81	27.90	1.74	4.37	6000	0.621	0.356	182	3600	2.68	1.01
	I		48.34	2.6	158.8	2.7	4.88	0.088	9.81	17.50	4.5	10.18	6000	0.621	0.568	290	3400	2.68	0.95
	J		60.99	2.6	158.8	2.7	3.87	0.088	9.81	13.80	7.11	16.08	6000	0.621	0.716	366	3300	2.68	0.93
W86-12	C	●	18.0	3.5	184.2	3.8	18.22	0.110	13.69	65.30	0.34	1.08	6000	0.932	0.211	108	3300	3.74	1.29
	D	●	23.1	3.5	184.2	3.8	14.20	0.110	13.69	50.90	0.57	1.6	6000	0.932	0.271	139	3400	3.74	1.33
	E	●	29.3	3.5	184.2	3.8	11.19	0.110	13.69	40.10	0.89	2.53	6000	0.932	0.344	176	3600	3.74	1.41
	G		46.0	3.5	184.2	3.8	7.13	0.110	13.69	25.60	2.14	6.1	6000	0.932	0.540	276	3100	3.74	1.21
	H		58.4	3.5	184.2	3.8	5.62	0.110	13.69	20.10	3.38	9.64	6000	0.932	0.686	350	2800	3.74	1.10
	J	●	92.7	3.5	184.2	3.8	3.54	0.110	13.69	12.70	8.29	25.4	6000	0.932	1.089	556	2500	3.74	0.98

W SERIES

Motor type	Winding	Voltage gradient +15% - 5%	Net weight (no brake fitted)	Body Length	Cont. stall torque	Cont. stall current (rms)	Max. Cogging torque	Peak torque	Max. Peak current	Resist-ance	Induct-ance	Max. Mechani- cal speed	Rotor inertia (no brake fitted)	Torque constant (3x Ktrms)	Max. EMF speed	Nominal speed	Nominal torque	Nominal power	
		V/Krpm	kg	mm	Nm	Amps	Nm	Nm	Amps	Ohms	mH	R.P.M.	kg.cm ²	Nm/A	V	rpm	Nm	kW	
W86-24	2D		23.1	6.5	260.4	5.7	21.33	0.140	20.68	76.70	0.22	0.87	6000	1.864	0.271	139	4100	5.65	2.43
	C		36.7	6.5	260.4	5.7	13.43	0.140	20.68	48.30	0.55	2.16	6000	1.864	0.431	220	4500	5.65	2.66
	E	●	58.5	6.5	260.4	5.7	8.42	0.140	20.68	30.30	1.38	5.4	6000	1.864	0.687	351	3900	5.65	2.31
	G		91.2	6.5	260.4	5.7	5.40	0.140	20.68	19.40	3.45	13.48	6000	1.864	1.071	547	3400	5.65	2.01
	H		115.6	6.5	260.4	5.7	4.26	0.140	20.68	15.30	5.44	21.3	6000	1.864	1.358	694	3200	5.65	1.89
	J		183.7	6.5	260.4	5.7	2.68	0.140	20.68	9.60	13.59	53.17	6000	1.864	2.158	1102	2700	5.65	1.60
W118-12	5E	●	10.7	8.3	200.3	8.5	68.85	0.179	31.00	248.2	0.02	0.12	6000	4.378	0.126	64	3700	8.47	3.28
	3F	●	21.3	8.3	200.3	8.5	34.59	0.179	31.00	124.7	0.09	0.47	6000	4.378	0.250	128	4000	8.47	3.55
	2D		41.9	8.3	200.3	9.2	18.96	0.152	33.60	68.6	0.40	1.90	6000	4.378	0.492	251	3400	9.18	3.27
	D		84.8	8.3	200.3	9.2	9.37	0.152	33.60	33.9	1.40	7.50	6000	4.378	0.996	509	3000	9.18	2.88
	G		169.7	8.3	200.3	9.2	4.68	0.152	33.60	16.9	5.60	29.60	6000	4.378	1.993	1018	2700	9.18	2.60
W118-20	5D		14.0	9.6	251.1	11.5	70.06	0.223	41.36	252.8	0.02	0.12	6000	7.203	0.164	84	4400	11.3	5.21
	5G		28.0	9.6	251.1	11.5	35.03	0.223	41.36	126.4	0.08	0.49	6000	7.203	0.329	168	4700	11.3	5.56
	2F		56.3	9.6	251.1	11.5	17.42	0.223	41.36	62.9	0.31	1.91	6000	7.203	0.661	338	4300	11.3	5.09
	2D		73.0	9.6	251.1	12.2	14.26	0.214	43.92	51.5	0.48	3.36	6000	7.203	0.857	438	3900	12	4.90
	E		178.1	9.6	251.1	13.7	6.52	0.214	49.12	23.6	2.92	21.36	6000	7.203	2.092	1069	2900	13.42	4.08
W118-24	5G	●	33.6	12.0	276.5	15	38.19	0.244	54.28	138.1	0.09	0.57	6000	8.615	0.395	202	4200	14.83	6.52
	2E		53.8	12.0	276.5	15	23.85	0.244	54.28	86.3	0.23	1.43	6000	8.615	0.632	323	3600	14.83	5.59
	2D		83.7	12.0	276.5	16.5	16.77	0.244	59.44	60.7	0.58	3.58	6000	8.615	0.983	502	3000	16.24	5.10
	C		134.4	12.0	276.5	17.2	10.89	0.244	62.04	39.4	1.44	8.93	6000	8.615	1.579	806	2500	16.95	4.44
	F	●	264.4	12.0	276.5	17.2	5.54	0.244	62.04	20.1	5.66	35.24	6000	8.615	3.106	1586	1600	16.95	2.84
W142-20	6C		19.4	20.0	289.1	21.4	95.60	0.601	77.52	342.9	0.01	0.12	4000	33.5	0.23	78	2500	21.18	5.55
	6E		30.5	20.0	289.1	21.4	60.81	0.601	77.52	218.1	0.04	0.29	4000	33.5	0.36	122	2500	21.18	5.55
	3E		62.5	20.0	289.1	22.1	30.64	0.601	80.12	110	0.14	1.14	4000	33.5	0.73	250	2000	21.89	4.59
	E		187.9	20.0	289.1	22.1	10.19	0.601	80.12	36.6	1.38	11.23	4000	33.5	2.21	752	1500	21.89	3.44
W142-24	6D		30.0	22.5	314.5	22.4	65.17	0.724	81.40	233.1	0.03	0.22	4000	40.2	0.35	120	2800	22.24	6.52
	3C		46.7	22.5	314.5	22.4	41.86	0.724	81.40	149.7	0.06	0.56	4000	40.2	0.55	187	2500	22.24	5.82
	3D		60.0	22.5	314.5	22.4	32.58	0.724	81.40	116.5	0.10	0.88	4000	40.2	0.70	240	2400	22.24	5.59
	3F	●	91.9	22.5	314.5	22.4	21.27	0.724	81.40	76.1	0.25	2.20	4000	40.2	1.08	368	2000	22.24	4.66
	D		180.4	22.5	314.5	22.4	10.84	0.724	81.40	38.8	1.00	8.67	4000	40.2	2.12	722	1700	22.24	3.96
	E		225.5	22.5	314.5	22.4	8.67	0.724	81.40	31	1.58	13.71	4000	40.2	2.65	902	1600	22.24	3.73
W142-32	6C		31.1	28.0	365.3	24.2	68.32	0.950	87.88	243.1	0.02	0.19	4000	53.6	0.37	124	2800	24.01	7.04
	6E		48.9	28.0	365.3	24.6	44.07	0.950	89.16	156.9	0.05	0.47	4000	53.6	0.57	196	2900	24.36	7.40
	3C		62.2	28.0	365.3	24.6	34.64	0.950	89.16	123.3	0.08	0.75	4000	53.6	0.73	249	2800	24.36	7.14
	3E		100.0	28.0	365.3	24.6	21.55	0.950	89.16	76.7	0.20	1.87	4000	53.6	1.17	400	2500	24.36	6.38
	2E		151.5	28.0	365.3	24.6	14.22	0.950	89.16	50.6	0.51	3.79	4000	53.6	1.78	606	2100	24.36	5.36
	C		187.1	28.0	365.3	24.6	11.52	0.950	89.16	41	0.80	5.99	4000	53.6	2.20	748	1900	24.36	4.85

● Preferred motor type

MOTOR TYPE DEFINITION (For brushless types)

For example: **W58-08F-001FM**

W: W series Brushless servomotor

58: 58mm frame servomotor

08F: Number of armature, 08: Stator stack: F: Winding

001: The serial number

F: Square flange

M: Accessory part (e.g. C-tacho, M-encoder, B-brake, J-gearbox)

Frame Size	Voltage gradient availability																									
	2.3	2.9	3.8	4.7	6.0	7.5	9	12	15	18	23	29	37	46	58	72	93	113	142	193	231	279	330	418	488	
58	04																									
	06																									
	08																									
	12																									
	16																									
86	06																									
	08																									
	12																									
	16																									
	20																									
118	08																									
	10																									
	12																									
	16																									
	20																									
142	12																									
	16																									
	20																									
	24																									
	28																									
60	04																									
	06																									
	08																									
	12																									
	16																									

STANDARD/OPTIONAL FEATURES		SERVOMOTOR TYPE				
DESCRIPTION OPTIONS		3W58	8W60	8W85	3W118	5W142
WAVEFORM	SINUSOIDAL	■	■	■	■	■
MECHANICAL	SQUARE FLANGE MOUNTED	■	■	■	■	■
	ROUND FLANGE MOUNTED	●	●	●	●	●
	NEMA FLANGE MOUNTED	●	●	●	●	●
	ROUND HOUSING AND FLANGE	●	●	●	●	●
	NO KEYWAY	■	■	■	■	■
	KEYWAY	●	●	●	●	●
	PLAIN SHAFT	●	●	●	●	●
	OUTPUT SHAFT OD (mm)	6-14	6-14	8-19	8-22	12-30
ELECTRICAL CONNECTION	IP65/IP64 (AT SHAFT WITH SEAL FITTED)	●	●	●	●	●
	INTERCONNECTION MOTOR AND FEEDBACK CONNECTORS	■	■	■	■	■
	CUSTOMER SPECIFIED CONNECTION	●	●	●	●	●
HOLDING BRAKE	FLYING LEADS	●	●	●	●	●
	24 VDC SPRING APPLIED	●	●	●	●	●
FEEDBACK DEVICE	INCREMENTAL ENCODER WITH BLOCK COMMUTATION	■	■	■	■	■
	RESOLVER	●	●	●	●	●
	SINGLE OR MULTITURN ABSOLUTE ENCODER	●	●	●	●	●
	ENCODER MOUNTING KIT TO SUIT CUSTOMER SPECIFIED ENCODER	●	●	●	●	●
CE APPROVAL	UL CERTIFICATION	●	●	●	●	●



■ STANDARD FEATURE ● OPTION ○ NOT AVAILABLE

ООО Евросенсор

Россия
119071, г. Москва
ул. Малая Калужская,
д. 15, стр. 17, оф. 443

Тел: +7(495) 780-71-88
955-94-53

eurosensor@eurosensor.ru
www.eurosensor.ru