

ROTACAM

Encoder with integrated cam programmer

Series

ASR58 • AMR58



- Absolute encoder with integrated cam switch programmer
- Single- and multiturn version
- Up to 16 digital real-time outputs
- Allows to store up to 16 programs/recipes
- SSI position output, Profibus on request
- Optional programmable analogue output



ASR58 • AMR58

ENVIRONMENTAL SPECIFICATIONS

Shock:	100 g, 6 ms
Vibrations:	10 g, 5-2000 Hz
Protection:	IP65
Operating temperature range:	-25°C +85°C (-13°F +185°F)
Storage temperature range:	-25°C +85°C (-13°F +185°F) (98% R.H.without condensation)

MECHANICAL SPECIFICATIONS

Dimensions:	see drawing
Shaft diameter:	Ø 6, 8, 9.52, 10, 12 mm
Hollow shaft diameter:	Ø 14, 15 mm
Reducing sleeves BR1-xx from Ø 15 mm to:	Ø 6, 8, 9.52, 10, 11, 12 mm
Shaft loading (axial, radial):	100 N max.
Shaft rotational speed:	6000 rpm max.
Bearings life:	400 x10 ⁶ rev. min. (10 ⁹ rev. min. with 20 N shaft loading max.)
Electrical connections:	ASR58: DSub 15 + 25 pin plug or cable 1 m (3.3 ft) AMR58: MIL 32 pin plug or cable 1 m (3.3 ft)
Weight:	~ 250 g (8,8 oz)
Option:	• additional cable

ELECTRICAL SPECIFICATIONS

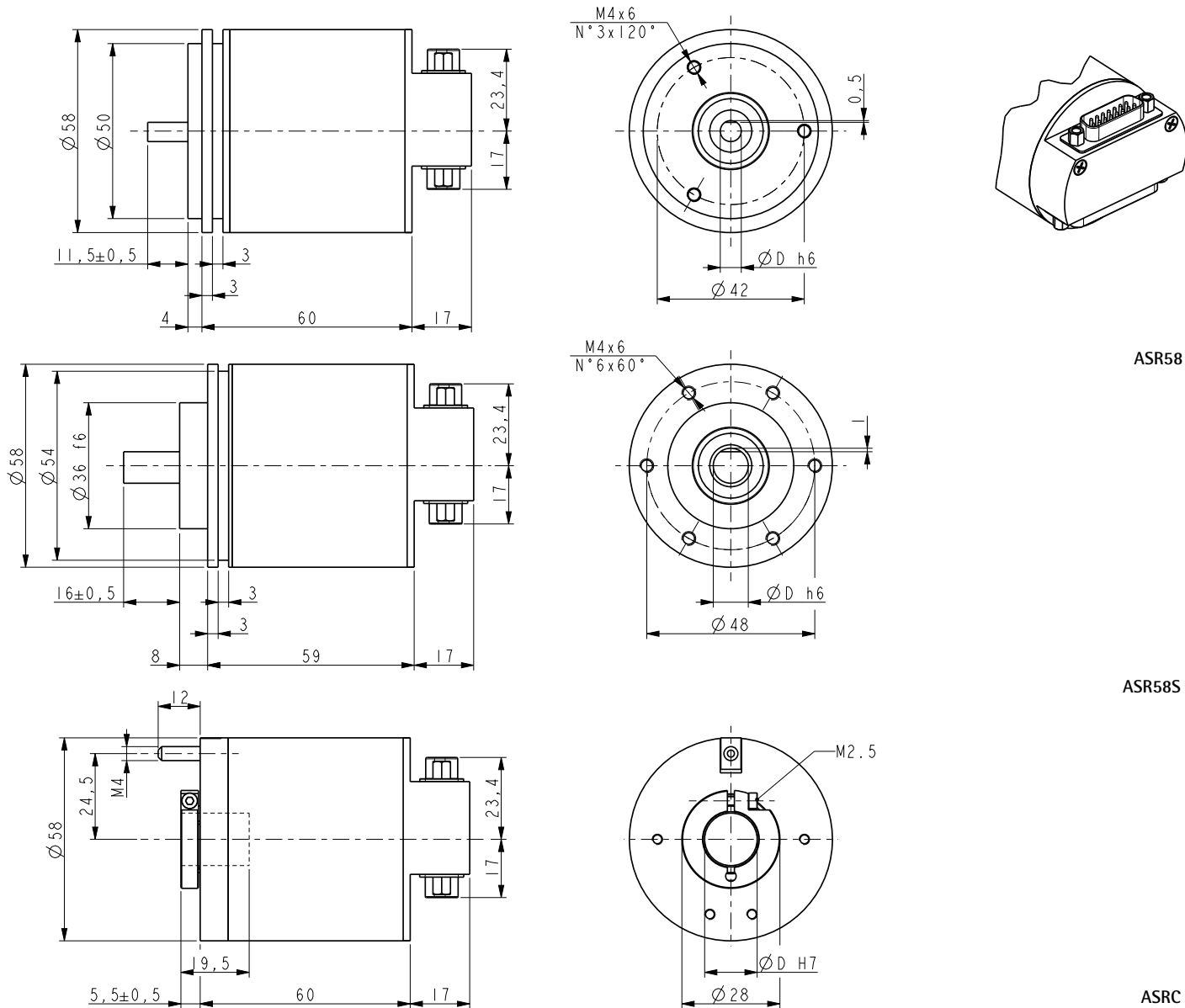
Resolution:	ASR58: 3600 cpr / 0.1° AMR58: 4096 cpr x 256 turns / 0,09°
Nr. of cams per program:	120
Nr. of selectable programs/recipes:	16
Outputs:	ASR: 16 x Push-Pull outputs (100 mA), analogue (see option) AMR: 8 x Push-Pull outputs (80 mA), SSI MSB aligned
Diagnostics:	Error signal indicating output status
Cam switching time:	ASR ~1 µs, AMR ~10 µs
Power supply:	+10V +30V
Power consumption:	ASR: 2 W, AMR: 2,5 W
Protection:	against inversion of polarity and short-circuit
EMC:	electro-magnetic immunity, according to: EN 61000-4-2 EN 61000-4-4
Optoelectronic life:	100.000 h min.
Option:	ASR58: analogue output (freely programmable on OUT1)

MATERIALS

Flange:	anticorrosive, EN AW-6082
Housing:	anticorrosive, EN AW-6082
Bearings:	ABEC 5
Shaft:	stainless steel, non-magnetic - UNI EN 4305
Light source:	GaAl diodes

ACCESSORIES

EDB 25S:	25 pin DSub mating connector
EDA 15S:	15 pin DSub mating connector
E32MLS:	32 pin MIL mating connector
KIT xx59:	fixing plate for ASRC, AMRC
KIT xx60:	fixing plate for ASRC, AMRC
IF92:	USB / RS-232 programming kit for ASR and AMR series
EC-AMR-M32F:	AMR prog. cable with MIL32 conn.
EC-ASR-D15F:	ASR prog. cable with DSub15 conn.
PAN/PGF:	flexible couplings
LKM-386:	fixing clamps



ASR58

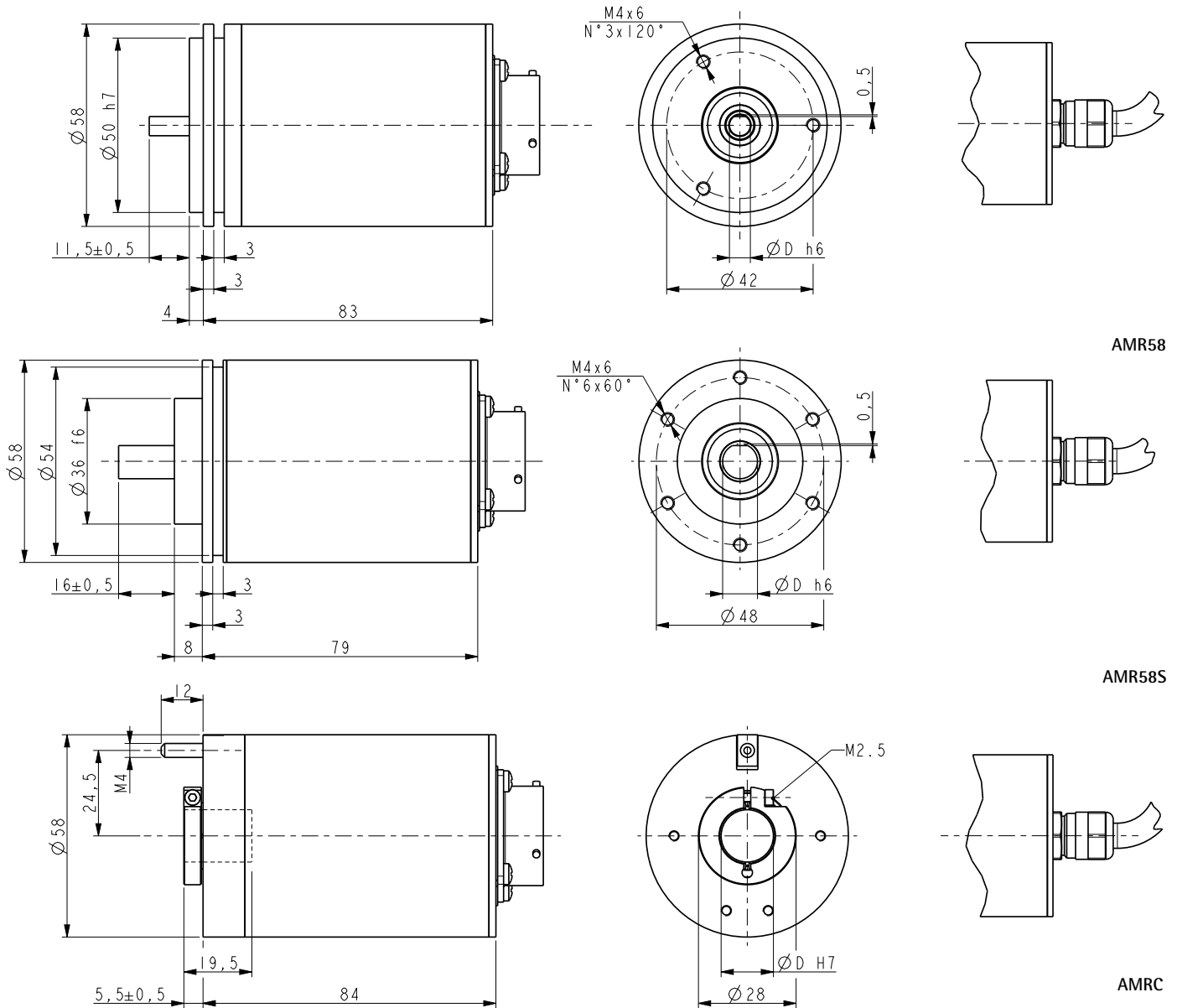
ASR58S

ASRC

Order code - Single turn

ASR58 ASR58S ASRC	XX Ⓐ	-	XX Ⓑ	XX Ⓒ	XX Ⓓ	/Sxxx Ⓔ
-------------------------	---------	---	---------	---------	---------	------------

<p>Ⓐ RESOLUTION</p> <p>81 = 3600 cpr</p>	<p>Ⓑ SHAFT DIAMETER</p> <p>6 = 6 mm</p> <p>8 = 8 mm</p> <p>P9 = 9.52 mm, 3/8"</p> <p>10 = 10 mm</p> <p>12 = 12 mm</p> <p>14 = 14 mm (only ASRC)</p> <p>15 = 15 mm (only ASRC)</p>	<p>Ⓒ CONNECTIONS</p> <p>- = DSub plugs</p> <p>L1 = cable output 1 m</p> <p>Lx = cable output x m</p>	<p>Ⓓ ANALOGUE OUTPUT</p> <p>- = no analogue output (standard)</p> <p>A1 = analogue output 0-10V</p> <p>A2 = analogue output 0-5V</p> <p>A3 = analogue output -5V +5V</p>	<p>Ⓔ CUSTOM VERSION</p>
--	---	--	--	-------------------------



Order code - Multi turn

AMR58 AMR58S AMRC	XX/XXX Ⓐ	XX Ⓑ	-	XX Ⓒ	XX Ⓓ	/Sxxx Ⓔ
-------------------------	-------------	---------	---	---------	---------	------------

<p>Ⓐ TOTAL RESOLUTION 12/256 = 4096 cpr x 256 turns</p>	<p>Ⓑ OUTPUT CS = Cam switch + SSI</p>	<p>Ⓒ SHAFT DIAMETER 6 = 6 mm 8 = 8 mm P9 = 9.52 mm, 3/8" 10 = 10 mm 12 = 12 mm 14 = 14 mm (only AMRC) 15 = 15 mm (only AMRC)</p>	<p>Ⓓ CONNECTIONS V = MIL 32 pin plug L1 = cable output 1 m Lx = cable output x m</p>
			<p>Ⓔ CUSTOM VERSION</p>