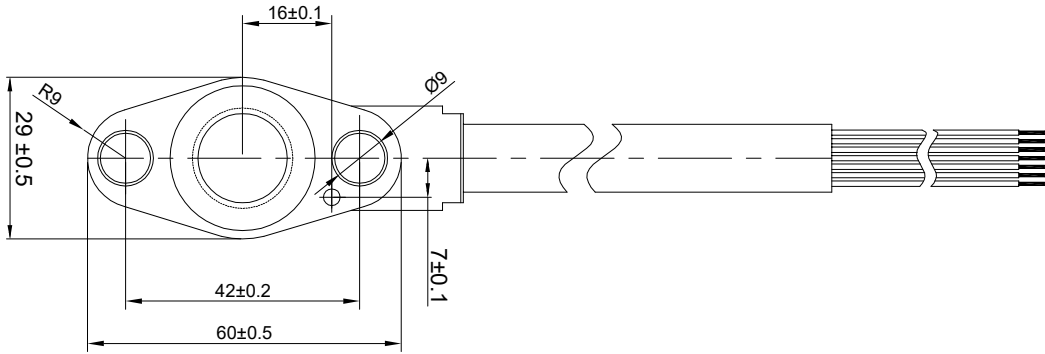
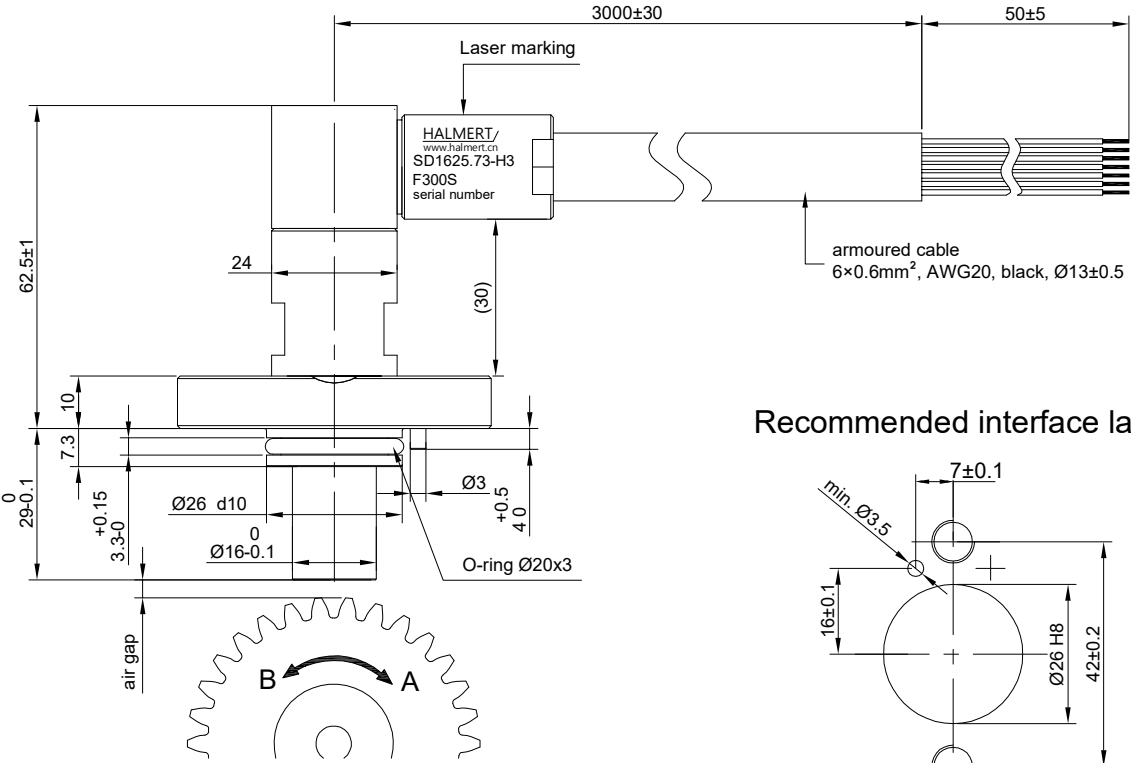
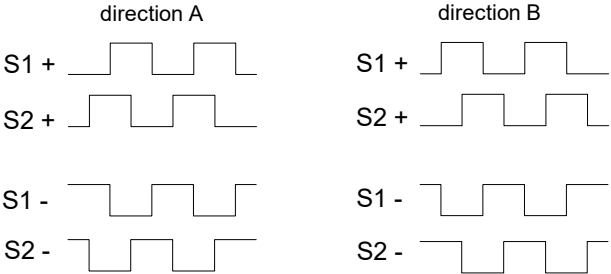


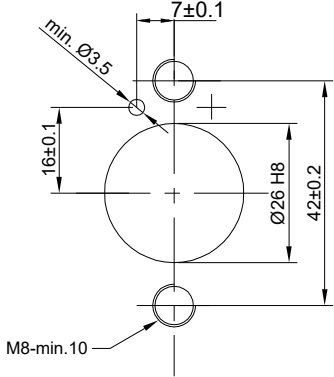
Passmass/fit size	Abmasse/tolerances
26 H8	+0.033 0.000
26 d10	-0.065 -0.149



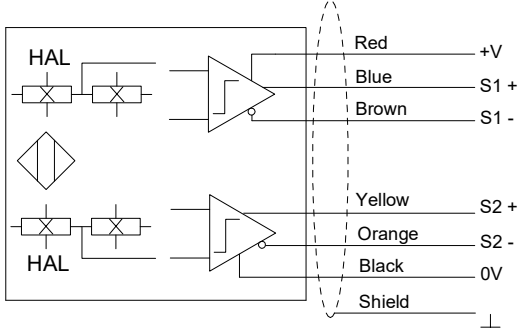
pulse diagram



Recommended interface layout



schematic diagram



PN.: 90238	Material: 1.4305(housing)	Dimension mm	Copy right belong to HALMERT			
Reference tolerance for undefined						
	Dimension range	>0.5 -6	>6 -30	>30 -120	>120 -400	>400 -1000
	Tolerance ±	0.1	0.2	0.3	0.5	0.8
	Others No	Draw: HZ	Draw date: 16.02.23			
Rev.	Date	Sign.	Check: SZ	Check date: 16.02.23		
PART NAME		Rate: 3:2	Approve: VY	Approve date: 21.02.23		
Speed Sensor SD1625.73-H3 F300S		Format	Status	Doc. No.	Version	
		A4	Approved	90238-01	Rev.01	