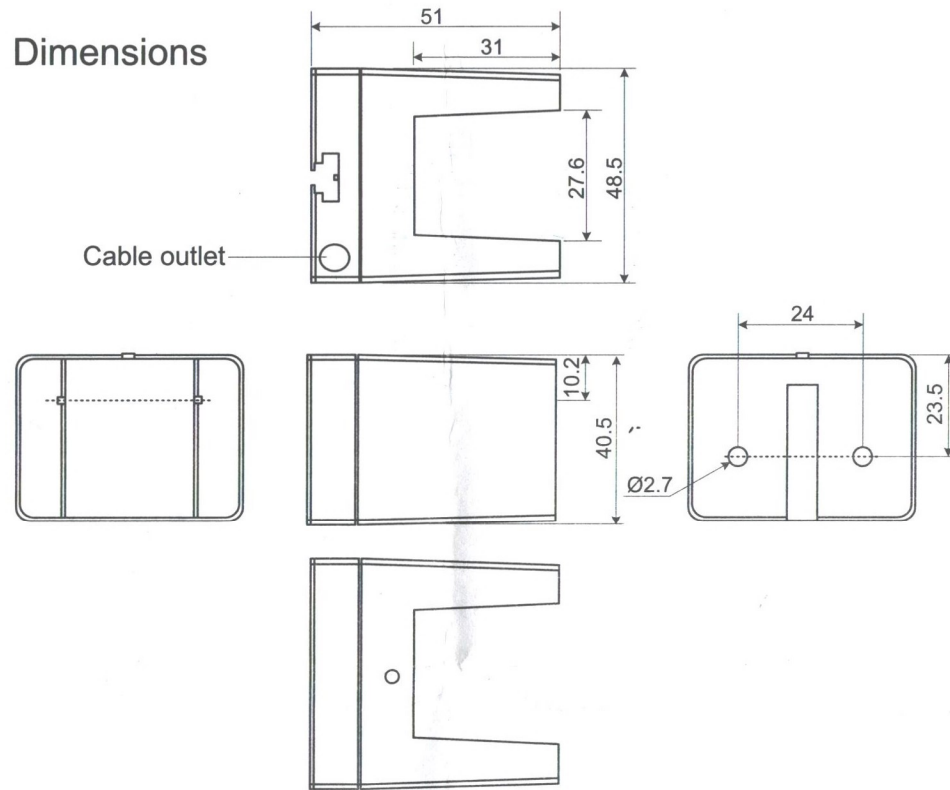
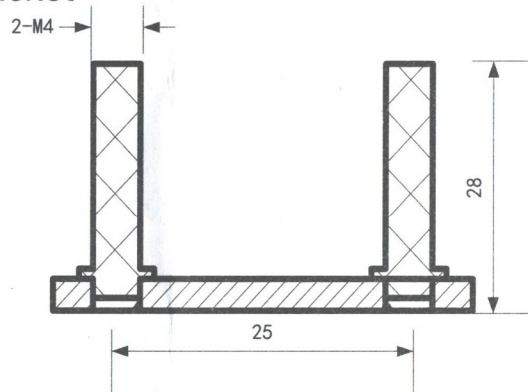


Dimensions



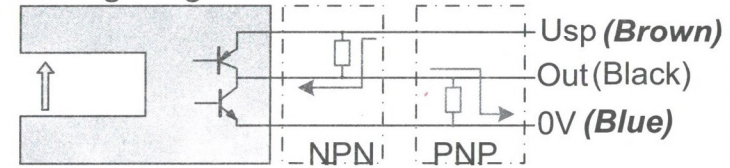
Mounting bracket



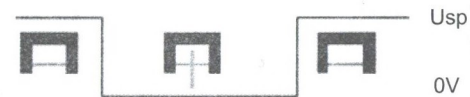
Technical Features

Supply voltage	13 - 30 VDC
Current consumption	≤40 mA (without load)
Output saturation voltage NPN	<1 V (IL =100mA)
Output saturation voltage PNP	<2 V (IL =100mA)
Response time	≤ 1ms
Maximum output current	200 mA
Output mode	NPN/PNP push-pull
Operating environment	-20°C-65°C, 100,000LUX
Protection level	IP65

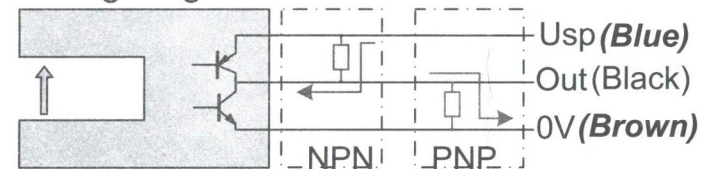
Wiring diagram A



Output A



Wiring diagram B



Output B



LED interpretation

Beams	LED
Non interrupted	ON
Interrupted	OFF