

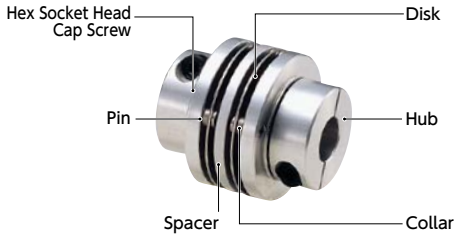
MHW Flexible Coupling - Disk Type

WEB Selection Tool WEB CAD Download Zero Backlash

Structure

Clamping type

MHW-C



Applicable motors

	MHW
Servomotor	-
Stepping motor	⊙
General-purpose motor	⊙

⊙: Excellent ○: Very good

Property

	MHW
Zero Backlash	⊙
Allowable Misalignment	○

⊙: Excellent ○: Very good

- This is a disk type flexible coupling.
- The stainless steel disk allows the eccentricity, and angular misalignment, and end-play.

Application

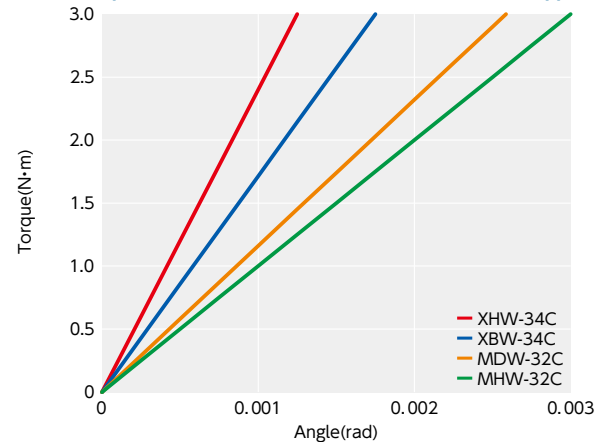
XY stage/Transport device

Material/Finish

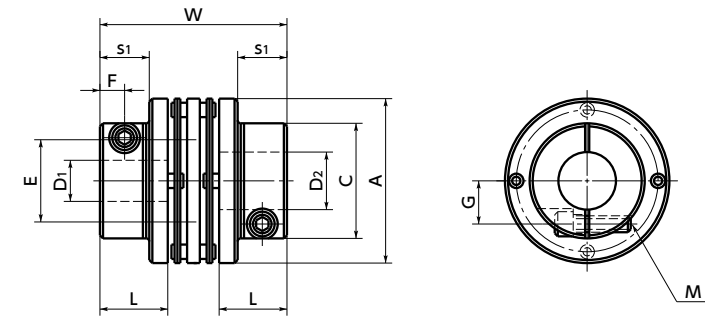
RoHS2 Compliant

	MHW-C
Hub	A2017 Alumite Treatment
Spacer	A2017 Alumite Treatment
Disk	SUS301
Pin	SUS303
Collar	SUS303
Hex Socket Head Cap Screw	SCM435 Ferrosferic oxide film

Comparison of static torsional stiffness (disk-type)



MHW-C



Dimensions

Unit : mm

Part Number	A	L	W	C	s1	E	F	G	M	Screw Tightening Torque (N·m)
MHW-32C	32	13.7	40	22	9	15	4	8	M3	1.5
MHW-40C	40	16.5	46	28	12	20	6	10.5	M4	2.5
MHW-50C	50	19.4	52	39	15	25	7	14.75	M5	7
MHW-63C	63	22.3	58	45	18	32	8	17	M6	12

Part Number	Standard Bore Diameter											
	D1 · D2											
	6	8	10	11	12	14	15	16	18	19	20	25
MHW-32C	●	●	●									
MHW-40C		●	●	●	●	●						
MHW-50C					●	●	●	●	●	●	●	
MHW-63C							●	●	●	●	●	●

- All products are provided with hex socket head cap screw.
- Recommended dimensional allowances of applicable shaft diameter are h6 and h7.
- In case of mounting on D-cut shaft, be careful about the position of the D-cut surface of the shaft. → P.258

Performance

Part Number	Max. Bore Diameter (mm)	Rated*1 torque (N·m)	Max. Rotational Frequency (min ⁻¹)	Moment*2 of Inertia (kg·m ²)	Static Torsional Stiffness (N·m/rad)	Max. Lateral Misalignment (mm)	Max. Angular Misalignment (°)	Max. Axial Misalignment (mm)	Mass*2 (g)
MHW-32C	10	2	19000	6.2×10 ⁻⁶	1000	0.15	2	±0.4	48
MHW-40C	14	4	15000	1.6×10 ⁻⁵	1500	0.2	2	±0.5	81
MHW-50C	20	7.5	12000	4.6×10 ⁻⁵	2000	0.2	2	±0.6	150
MHW-63C	25	10	10000	1.1×10 ⁻⁴	2500	0.3	2	±0.8	230

*1 : Correction of rated torque due to load fluctuation is not required.

*2 : These are values with max. bore diameter.

Related Products

The Double-Disk type Flexible Coupling **XHW** is compatible with the servomotor with 350% instantaneous max. torque is available.



→ P.65

Part number specification

MHW-32C-8-10

1

2

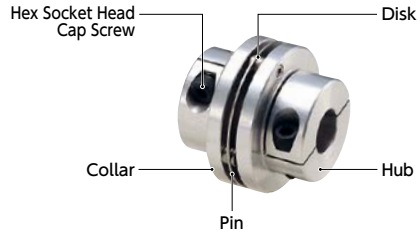
MHS Flexible Coupling - Single - Disk Type

WEB Selection Tool WEB CAD Download Zero Backlash

Structure

● Clamping type

MHS-C



● Applicable motors

	MHS
Servomotor	-
Stepping motor	○
General-purpose motor	○

○: Excellent ○: Very good

● Property

	MHS
Zero Backlash	○
Allowable Misalignment	○

○: Excellent ○: Very good

- This is a disk type flexible coupling.
- The stainless steel disk allows the eccentricity, and angular misalignment and end-play.

● Application

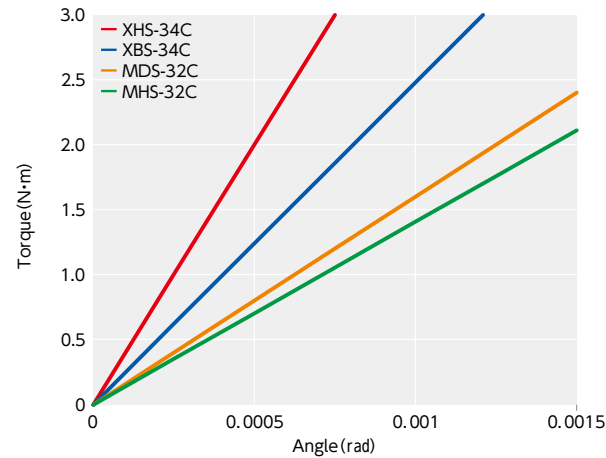
XY stage/Transport device

● Material/Finish

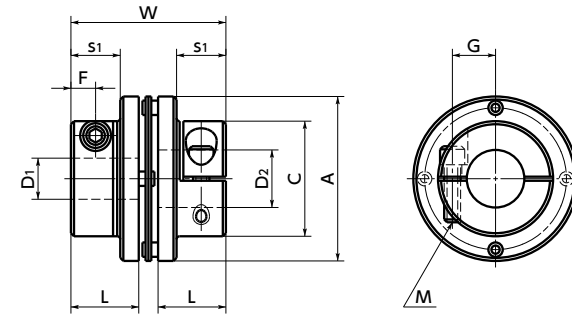
RoHS2 Compliant

	MHS-C
Hub	A2017 Alumite Treatment
Disk	SUS301
Pin	SUS303
Collar	SUS303
Hex Socket Head Cap Screw	SCM435 Ferrosoferric oxide film

● Comparison of static torsional stiffness (single disk-type)



MHS-C



Dimensions

Unit: mm

Part Number	A	L	W	C	s1	F	G	M	Screw Tightening Torque (N·m)
MHS-32C	32	13.7	32	22	9	4	8	M3	1.5
MHS-40C	40	16.5	38	28	12	6	10.5	M4	2.5
MHS-50C	50	19.4	44	39	15	7	14.75	M5	7
MHS-63C	63	22.3	50	45	18	8	17	M6	12

Part Number	Standard Bore Diameter											
	D1 · D2											
	6	8	10	11	12	14	15	16	18	19	20	25
MHS-32C	●	●	●									
MHS-40C		●	●	●	●	●						
MHS-50C					●	●	●	●	●	●	●	
MHS-63C							●	●	●	●	●	●

- All products are provided with hex socket head cap screw.
- Recommended dimensional allowances of applicable shaft diameter are h6 and h7.
- In case of mounting on D-cut shaft, be careful about the position of the D-cut surface of the shaft. → P.258

Performance

Part Number	Max. Bore Diameter (mm)	Rated*1 torque (N·m)	Max. Rotational Frequency (min ⁻¹)	Moment*2 of Inertia (kg·m ²)	Static Torsional Stiffness (N·m/rad)	Max. Lateral Misalignment (mm)	Max. Angular Misalignment (°)	Max. Axial Misalignment (mm)	Mass*2 (g)
MHS-32C	10	2	19000	4.5×10 ⁻⁶	1300	0.02	1	±0.2	38
MHS-40C	14	4	15000	1.2×10 ⁻⁵	2800	0.02	1	±0.2	66
MHS-50C	20	7.5	12000	3.7×10 ⁻⁵	3700	0.02	1	±0.2	120
MHS-63C	25	10	10000	8.4×10 ⁻⁵	5000	0.02	1	±0.2	190

*1: Correction of rated torque due to load fluctuation is not required.

*2: These are values with max. bore diameter.

● Related Products

The Single-Disk type Flexible Coupling [XHS] is compatible with the servomotor with 350% instantaneous max. torque is available.

→ P.71



● Part number specification

MHS-32C-8-10

1 2