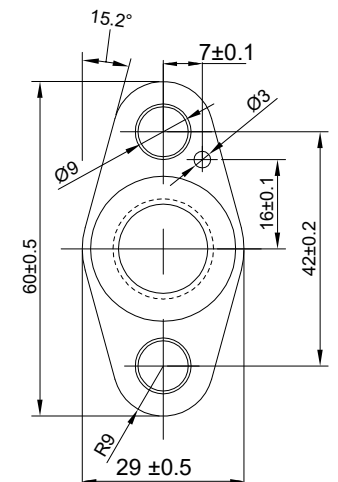
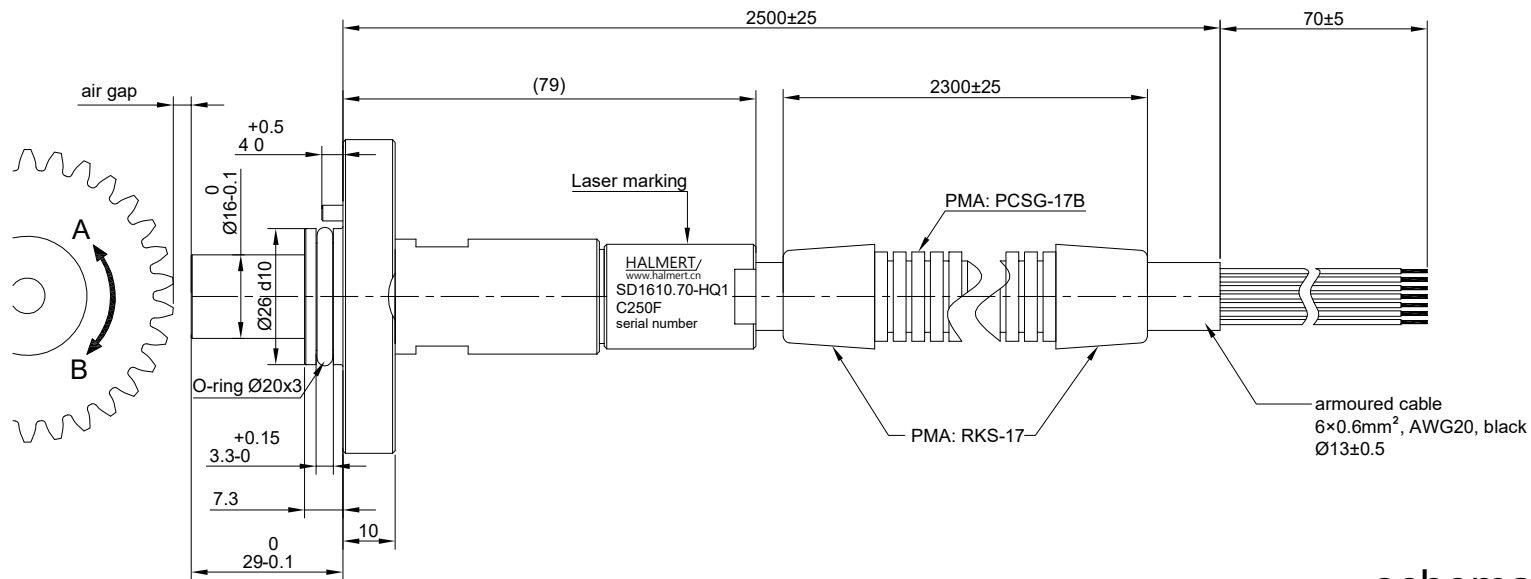
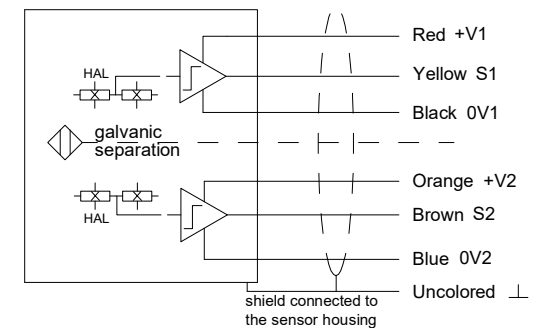


Passmass/fit size	Abmasse/tolerances
26 H8	+0.033 0.000
26 d10	-0.065 -0.149



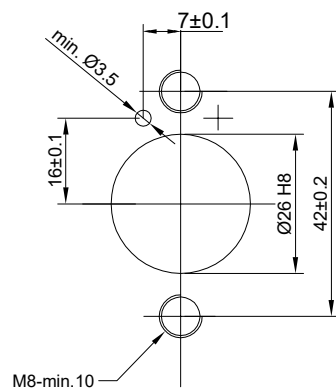
schematic diagram



pulse diagram



Recommended interface layout



PN.: 90220	Material: 1.4305(housing)	Dimension mm	Copy right belong to HALMERT			
Reference tolerance for undefined						
Dimension range	>0.5	>6	>30	>120	>400	>1000
	-6	-30	-120	-400	-1000	-2000
Tolerance ±	0.1	0.2	0.3	0.5	0.8	1.2
Others No	Draw: HZ	Draw date: 27.10.22				
Rev.	Date	Sign.	Check: SZ	Check date: 27.10.22		
PART NAME			Rate: 3:2	Approve: VY	Approve date: 27.10.22	
Speed Sensor SD1610.70-HQ1 C250F			Format	Status	Doc. No.	Version
HALMERT/ www.halmert.cn			A4	Approved	90220-01	Rev.01