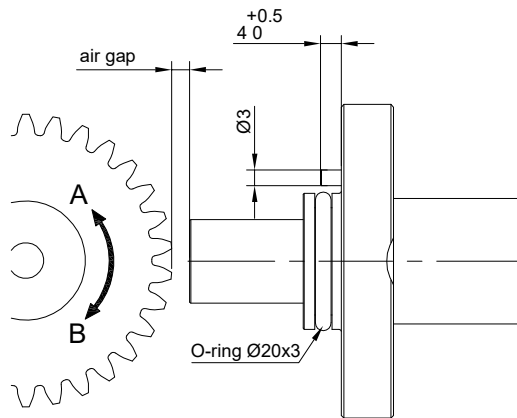
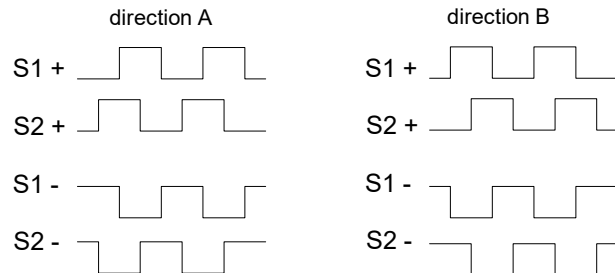


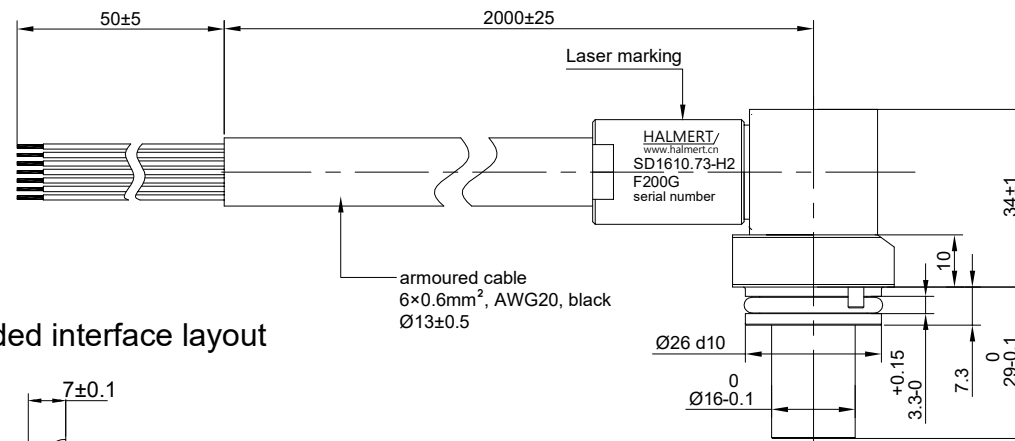
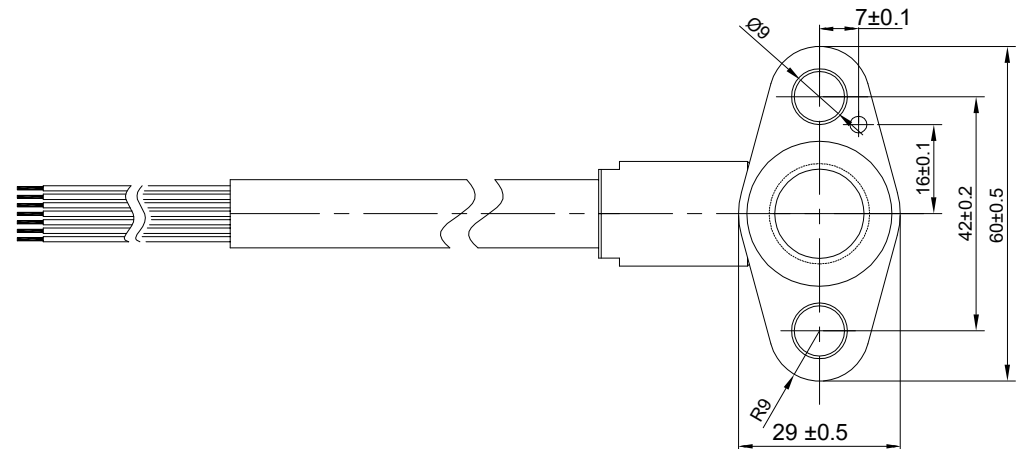
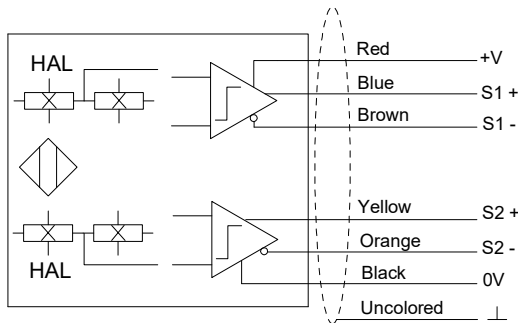
| Passmass/fit size | Abmasse/tolerances |
|-------------------|--------------------|
| 26 H8             | +0.033<br>0.000    |
| 26 d10            | -0.065<br>-0.149   |



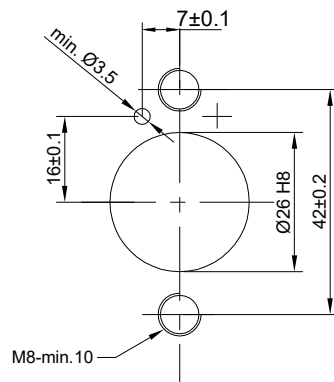
**pulse diagram**



**schematic diagram**



**Recommended interface layout**



|                                 |                           |                                   |                              |             |                      |                        |               |                |
|---------------------------------|---------------------------|-----------------------------------|------------------------------|-------------|----------------------|------------------------|---------------|----------------|
| PN.: 90210                      | Material: 1.4305(housing) | Dimension mm                      | Copy right belong to HALMERT |             |                      |                        |               |                |
|                                 |                           | Reference tolerance for undefined |                              |             |                      |                        |               |                |
|                                 |                           | Dimension range                   | >0.5<br>-6                   | >6<br>-30   | >30<br>-120          | >120<br>-400           | >400<br>-1000 | >1000<br>-2000 |
|                                 |                           | Tolerance ±                       | 0.1                          | 0.2         | 0.3                  | 0.5                    | 0.8           | 1.2            |
|                                 |                           | Others No                         | Draw: HZ                     |             | Draw date: 27.09.22  |                        |               |                |
| Rev.                            | Date                      | Sign.                             | Check: SZ                    |             | Check date: 28.09.22 |                        |               |                |
| PART NAME                       |                           | Rate: 3:2                         |                              | Approve: VY |                      | Approve date: 29.09.22 |               |                |
| Speed Sensor SD1610.73-H1 F200G |                           | Format                            | Status                       | Doc. No.    |                      | Version                |               |                |
|                                 |                           | A4                                | Approved                     | 90210-01    |                      | Rev.01                 |               |                |

**HALMERT**  
www.halmert.cn