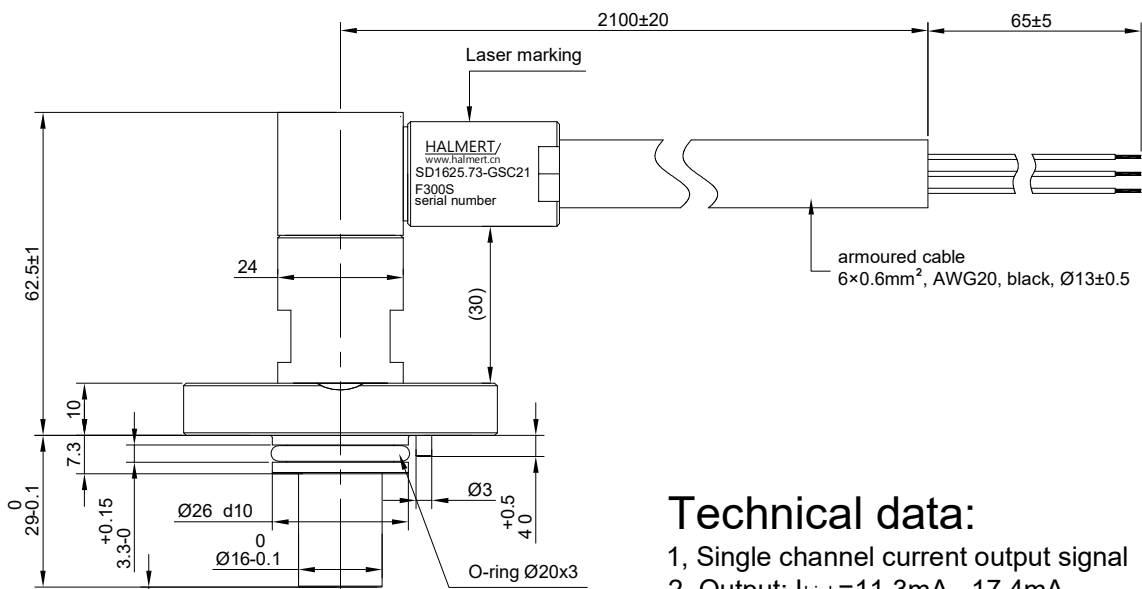
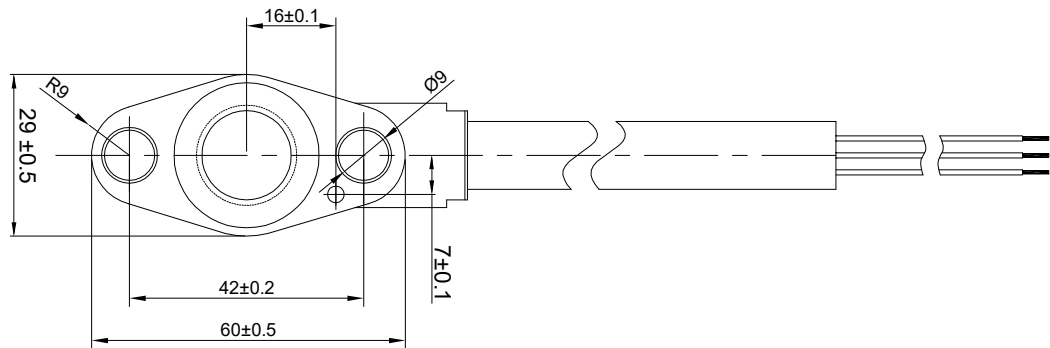
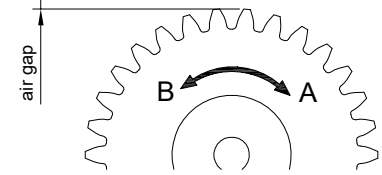


Passmass/fit size	Abmasse/tolerances
26 H8	+0.033 0.000
26 d10	-0.065 -0.149



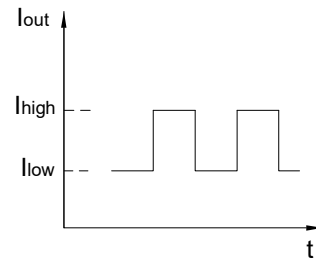
armoured cable  
6×0.6mm<sup>2</sup>, AWG20, black, Ø13±0.5



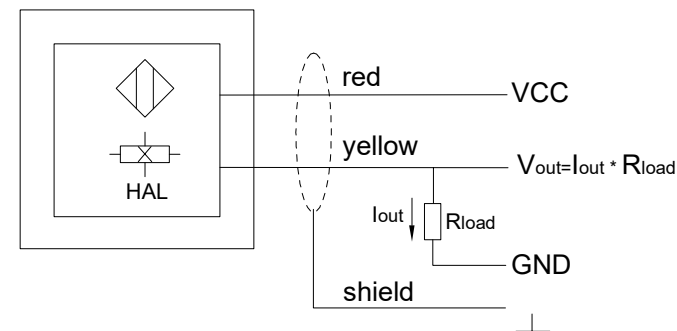
**Technical data:**

- 1, Single channel current output signal
- 2, Output:  $I_{high}=11.3mA...17.4mA$   
 $I_{low}=4.3mA...8.9mA$
- 3, Duty cycle: 30%...70%
- 4, Supply voltage: 12V...30V DC
- 5, Frequency range: 0Hz...12kHz
- 6, Operation temperature range: -40 °C...+125 °C
- 7, Protection class: IP68(head)
- 8, Target gear module: M2.5
- 9, Air gap: 0.3mm...1.5mm
- 10,  $R_{load\_min.}=100\Omega$ ,  $R_{load\_max.}=(VCC-8)/17.4$
- 10, Others please contact HALMERT

**pulse diagram**



**schematic diagram**



PN.: 90239	Material: 1.4305(housing)	Dimension mm	Copy right belong to HALMERT			
Reference tolerance for undefined						
Dimension range	>0.5 -6	>6 -30	>30 -120	>120 -400	>400 -1000	>1000 -2000
Tolerance ±	0.1	0.2	0.3	0.5	0.8	1.2
Others No	Draw: HZ	Draw date: 20.02.23				
Rev.	Date	Sign.	Check: SZ	Check date: 21.02.23		
PART NAME		Rate: 3:2		Approve: VY	Approve date: 21.02.23	
Speed Sensor SD1625.40-GSC21 F300S		HALMERT/ www.halmert.cn		Format	Status	Doc. No.
				A4	Approved	90239-01
						Version
						Rev.01