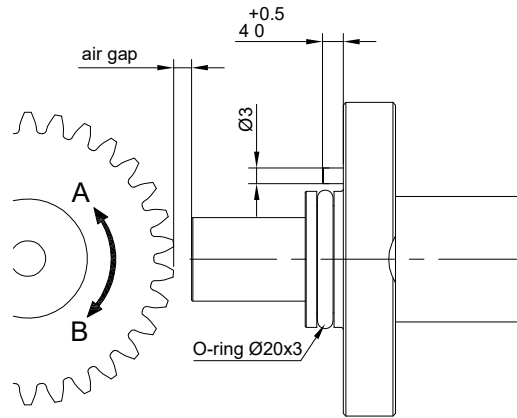
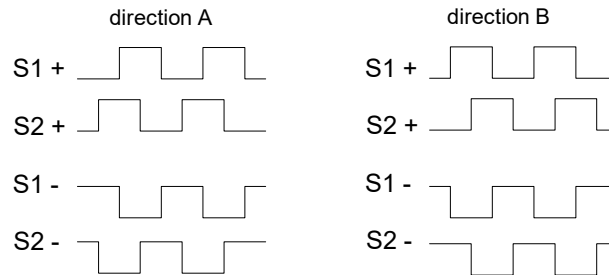


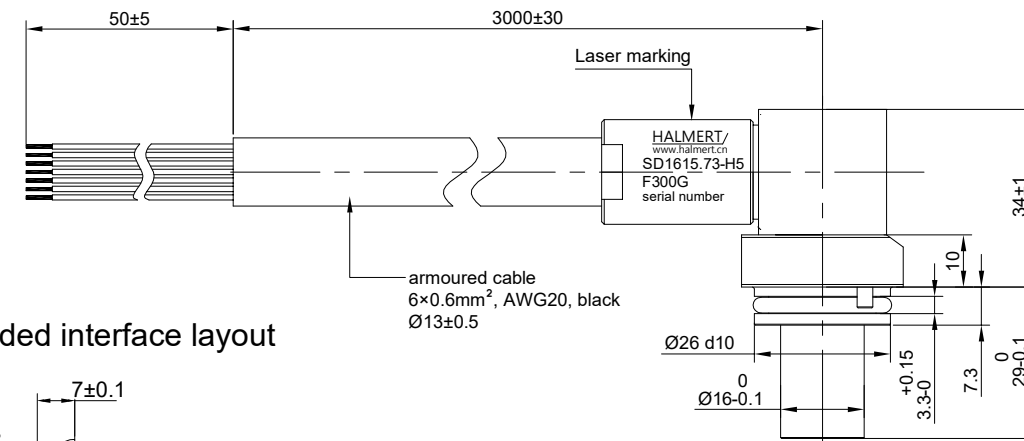
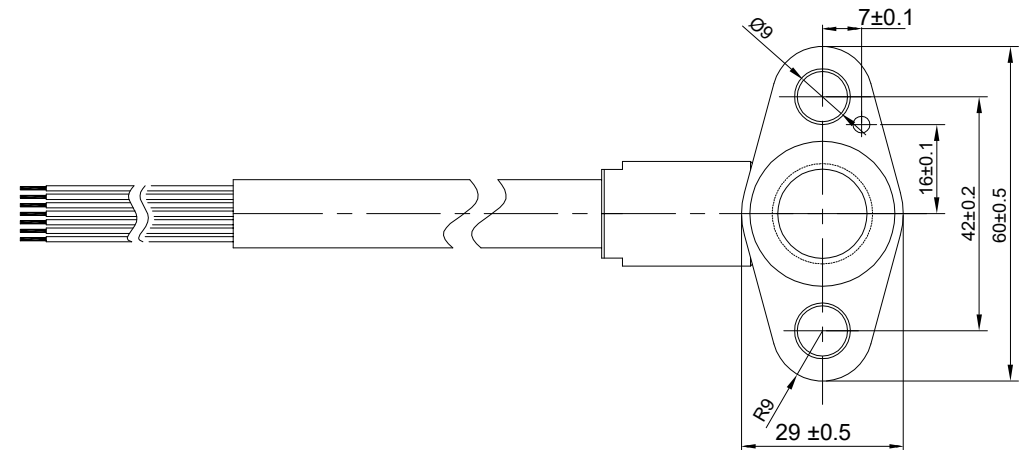
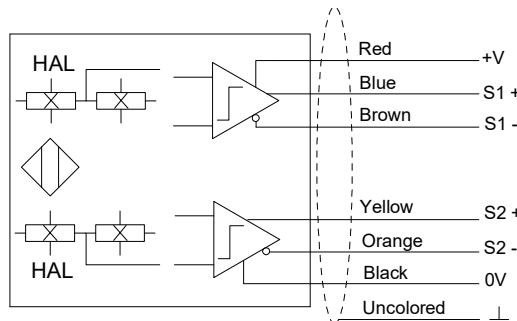
| Passmass/fit size | Abmasse/tolerances |
|-------------------|--------------------|
| 26 H8             | +0.033<br>0.000    |
| 26 d10            | -0.065<br>-0.149   |



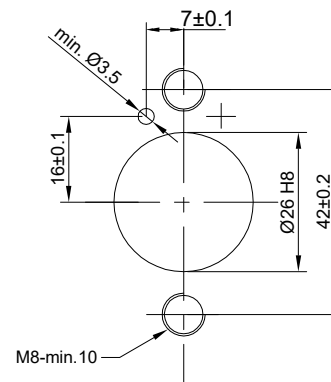
**pulse diagram**



**schematic diagram**



**Recommended interface layout**



|                                       |                           |                     |                              |                      |                        |                |
|---------------------------------------|---------------------------|---------------------|------------------------------|----------------------|------------------------|----------------|
| PN.: 90212                            | Material: 1.4305(housing) | Dimension mm        | Copy right belong to HALMERT |                      |                        |                |
| Reference tolerance for undefined     |                           |                     |                              |                      |                        |                |
| Dimension range                       | >0.5<br>-6                | >6<br>-30           | >30<br>-120                  | >120<br>-400         | >400<br>-1000          | >1000<br>-2000 |
| Tolerance ±                           | 0.1                       | 0.2                 | 0.3                          | 0.5                  | 0.8                    | 1.2            |
| Others No                             | Draw: HZ                  | Draw date: 10.10.22 |                              |                      |                        |                |
| Rev.                                  | Date                      | Sign.               | Check: SZ                    | Check date: 10.10.22 |                        |                |
| PART NAME                             |                           |                     | Rate: 3:2                    | Approve: VY          | Approve date: 10.10.22 |                |
| Speed Sensor<br>SD1615.73-H5<br>F300G |                           |                     | Format                       | Status               | Doc. No.               | Version        |
|                                       |                           |                     | A4                           | Approved             | 90212-01               | Rev.01         |

**HALMERT**  
www.halmert.cn