

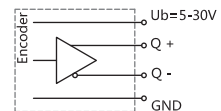
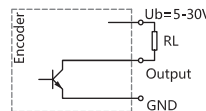
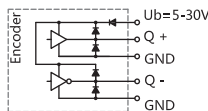
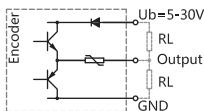


ESK50S Series	
Sensing method	Optical
Housing size	Φ50 mm
Shaft diameter	Φ6、Φ8 mm
Shaft with keyway diameter	Φ25 mm
Max. resolution	1200 PPR
Supply voltage	5VDC, 5-30VDC, 9-26VDC
Protection	IP54/IP65

Mechanical characteristics

Shaft diameter	Solid shaft: Φ6、Φ8 mm ; Solid shaft with keyway : Φ25 mm
Protection	IP54/IP65
Speed	max. 6000 min ⁻¹
Shaft loading	max. 40N Axial; max. 80N Radial
Shock resistance	100g, 6ms
Vibration resistance	10g, 10...2000 HZ
Bearing life	10 ⁹ turns
Rotor moment of inertia	approx. 1.8×10 ⁻⁶ kgm ²
Starting torque	<0.01 Nm
Materials	Solid shaft : Stainless steel Flange : Aluminum alloy Housing: Tensile iron shell +Black painted
Working temperature	-40 °C...+85 °C
Storage temperature	-40 °C...+85 °C
Weight	approx. 200g(Cable 2m)

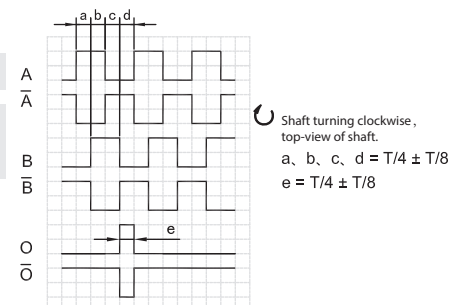
Electrical characteristics



Output circuit	Push-Pull	Push-Pull Differential	Open Collector	RS422 (TTL Compatible)
Supply voltage	5-30V	5-30V	5-30V	5-30 V
Power consumption(no load)	max. 125 mA	max. 125 mA	max. 80 mA	max. 80 mA
Permissible load/channel	max. ±80 mA	max. ±80 mA	max. -50 mA	max. ±50 mA
Pulse frequency	max.100 KHz	max.100 KHz	max.100KHz	max.100KHz
Signal level high	min. Ub-2.5V	min. Ub-2.5V	/	min. 2.5V
Signal level low	max. 0.8V	max. 0.8V	/	max. 0.4V
Rise time Tr	max. 1μs	max. 1μs	/	max. 1μs
Fall time Tf	max. 1μs	max. 1μs	/	max. 1μs
Short circuit proof outputs	yes	yes	yes	yes

Terminal assignment

Signal		OV	+Ub	A	\bar{A}	B	\bar{B}	O	\bar{O}	\perp
Cable Colour		WH	BN	GN	PK	YE	BU	GY	RD	Shield



Note: Positional relationship of O channel and A&B channels is not specified.

Ordering information

ESK50	XX	S	8	E	1024	F	5-30	R	2	/	XXXX
	①	②	③	④	⑤	⑥	⑦	⑧	⑨		⑩

① Extended No. XX	② Shaft type S: Solid shaft SK: Solid shaft with key	③ Shaft diameter 6: 6mm 8: 8mm 25: 25mm	④ Channels B: A B C: A B O D: A \bar{A} B \bar{B} E: A \bar{A} B \bar{B} O \bar{O} F: A B \bar{O}	⑤ Pulse rate 200,250, 300 , 360,500,512 , 600,1000,1024 , 1200	⑥ Output circuit F: Push-Pull A: Push-Pull Differential C: Open Collector B: RS422 (TTL Compatible)
----------------------	--	--	--	---	---

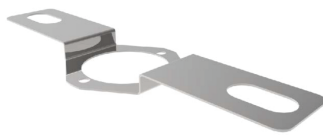
⑦ Supply voltage 5: 5VDC 5-30: 5...30VDC 9-26: 9...26VDC	⑧ Exit position R: Radial C: Axial	⑨ Connection type Figure: Cable length(m)	⑩ Special code XXXX
--	---	--	------------------------

Note: Printed in bold=standard items

- Notes: 1, Pulse rates available at a short notice (200,250,300,360,500,512,600,1000,1024,1200) other pulse rates on request.
2, Please chose the ordering information: Extended No., Shaft diameter, Channels, Pulse rate, Output circuit, Supply voltage, Exit position, Cable length and Special code.
Ordering example: 1、ESK50S8B1024F5-30R2, Special requirements please indicate to the back.
Explanation: EESK50S Series, Shaft diameter 8 mm, Output channels A- B, 1024 PPR, Push-Pull, DC 5-30V, Radial Output 2m.
2、ESK5001S8E1024A5-30R2, Special requirements please indicate to the back.
Explanation: ESK5001S Series, Shaft diameter 8mm, Output channels A \bar{A} B \bar{B} O \bar{O} , 1024 PPR, Push-Pull Differential, DC 5-30V, Radial Output 2m.

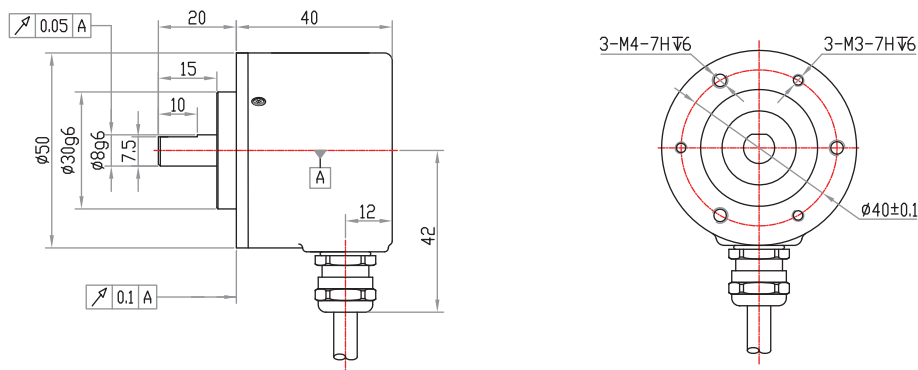
Accessories (sold separately) Note: Further coupling and stator coupling can be found in the coupling selection table.

Coupling Model (common) : 8212B 8-8 Stator coupling, double-winged Model: 8140 (ESK5003S dedicated)



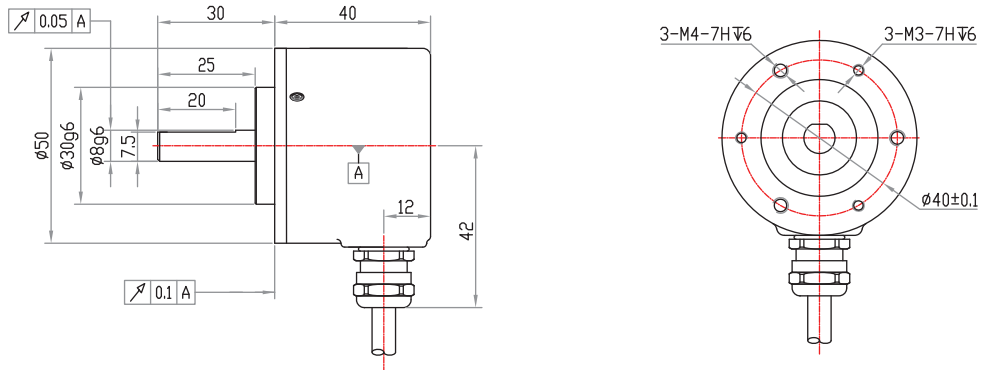
Dimensions

ESK50S

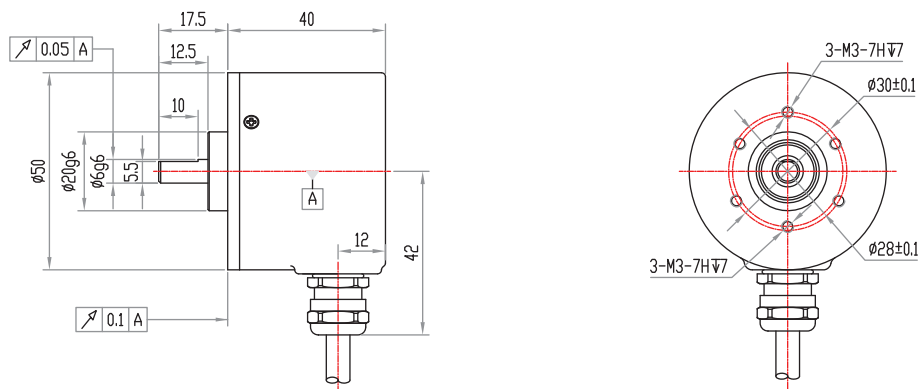


Dimensions

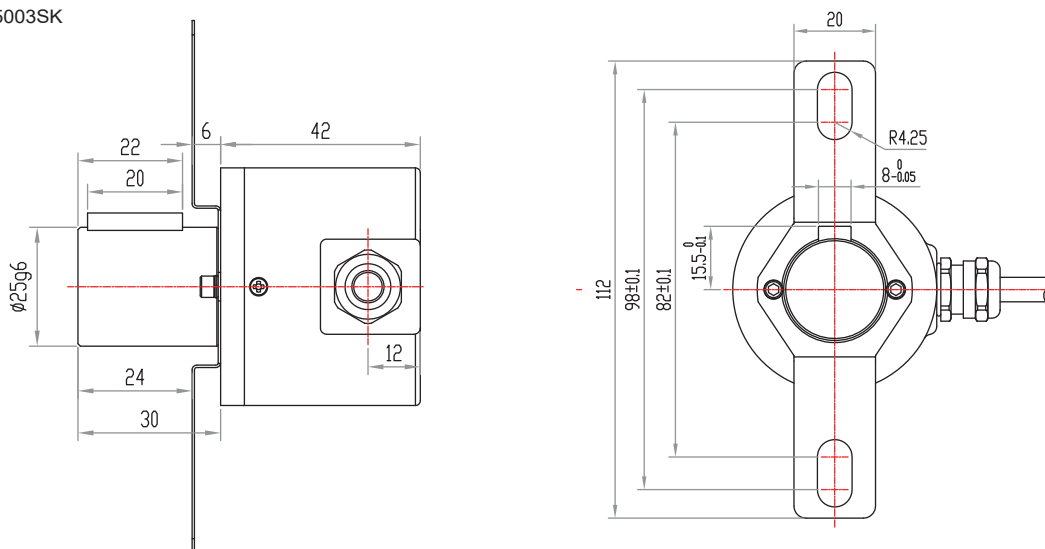
ESK5001S



ESK5002S



ESK5003SK



Dimensions

ESK5004SK

